



# Installation instructions, accessories

Volvo Car Corporation Gothenburg, Sweden

Instruction No	Version	Part. No.
31414547	1.0	31339994

## Parking assistance camera wide angle front (2013w46-)



IMG-376581



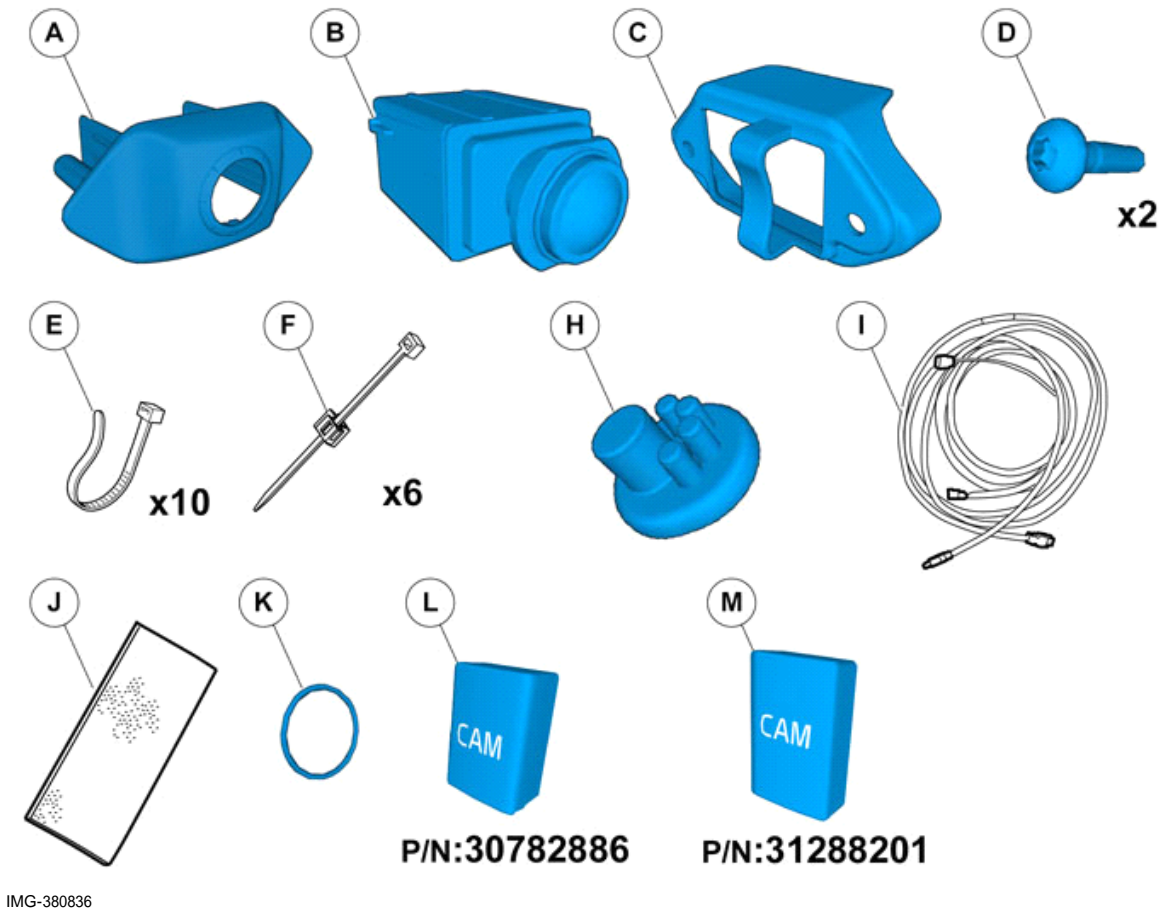
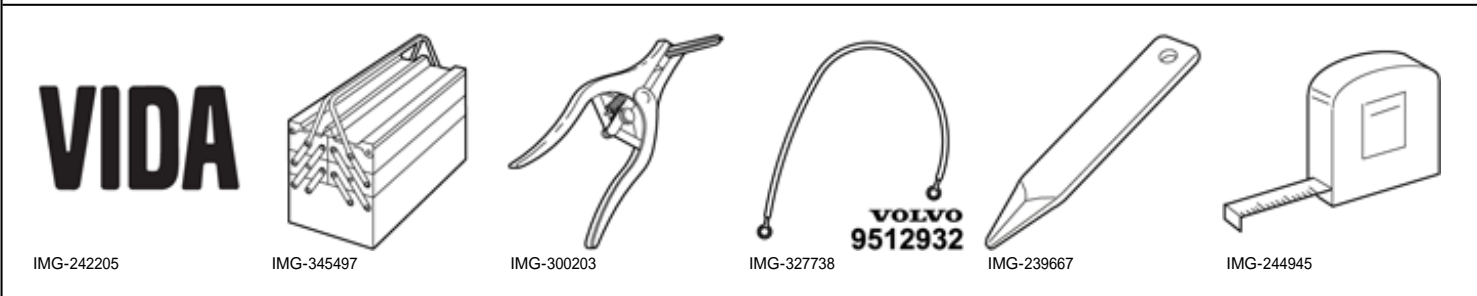
# Installation instructions, accessories

Volvo Car Corporation Gothenburg, Sweden

## Materials

Designation	Part number
Low temperature grease	1161427

## Equipment





# Installation instructions, accessories

Volvo Car Corporation Gothenburg, Sweden

---

## Information

1

Read through all of the instructions before starting installation.

Notifications and warning texts are for your safety and to minimise the risk of something breaking during installation.

Ensure that all tools stated in the instructions are available before starting installation.

Certain steps in the instructions are only presented in the form of images. Explanatory text is also given for more complicated steps.

In the event of any problems with the instructions or the accessory, contact your local Volvo dealer.

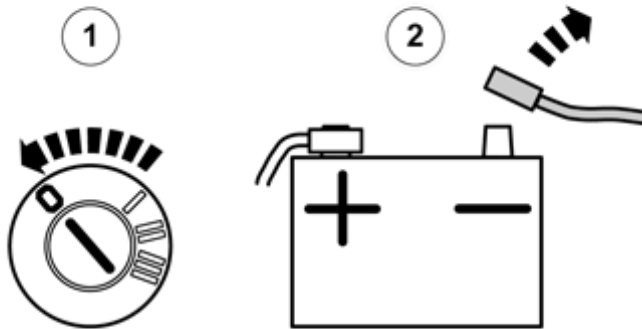
---

## Conditions

2

Set the ignition key to position 0.

Remove the battery's negative cable.



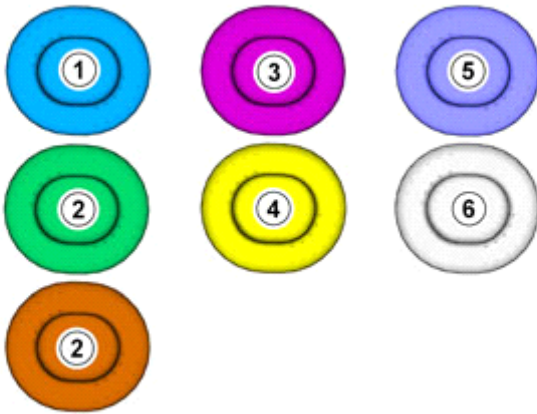
IMG-332179



# Installation instructions, accessories

Volvo Car Corporation Gothenburg, Sweden

3



IMG-363036

## Note!

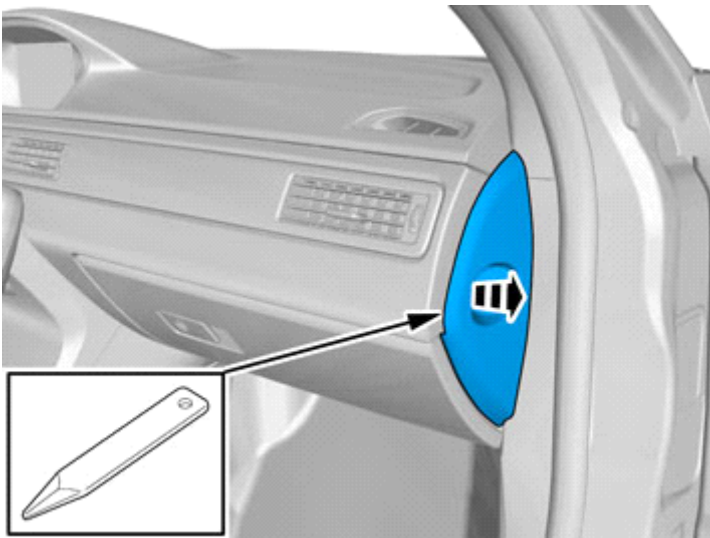
This colour chart displays (in colour print and electronic version) the importance of the different colours used in the images of the method steps.

1. Used for focused component, the component with which you will do something.
2. Used as extra colors when you need to show or differentiate additional parts.
3. Used for attachments that are to be removed/installed. May be screws, clips, connectors, etc.
4. Used when the component is not fully removed from the vehicle but only hung to the side.
5. Used for standard tools and special tools.
6. Used as background color for vehicle components.

---

## Removal

4



IMG-354313

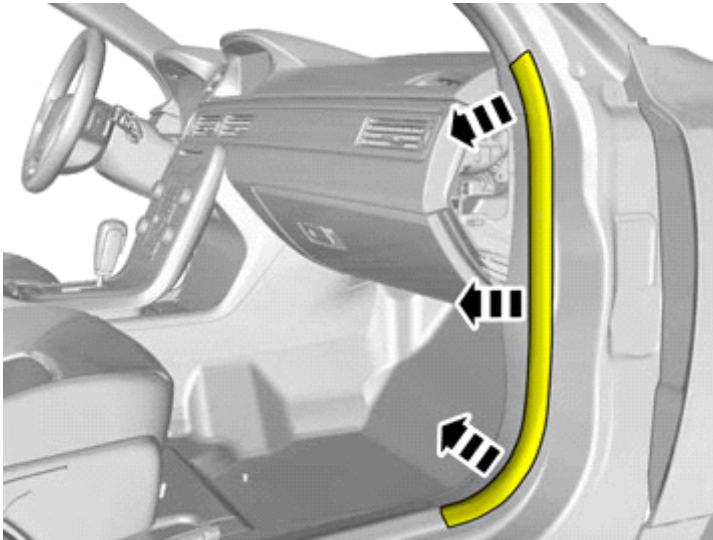
Remove the panel.



# Installation instructions, accessories

Volvo Car Corporation Gothenburg, Sweden

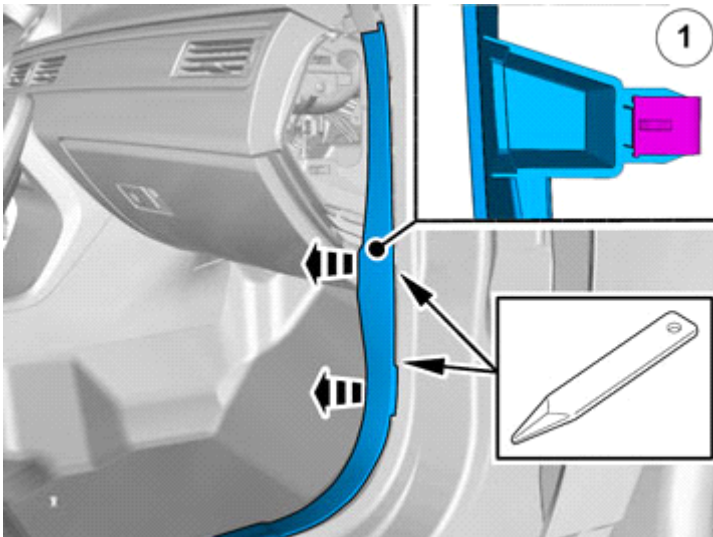
5



IMG-354315

Remove the weatherstrip.

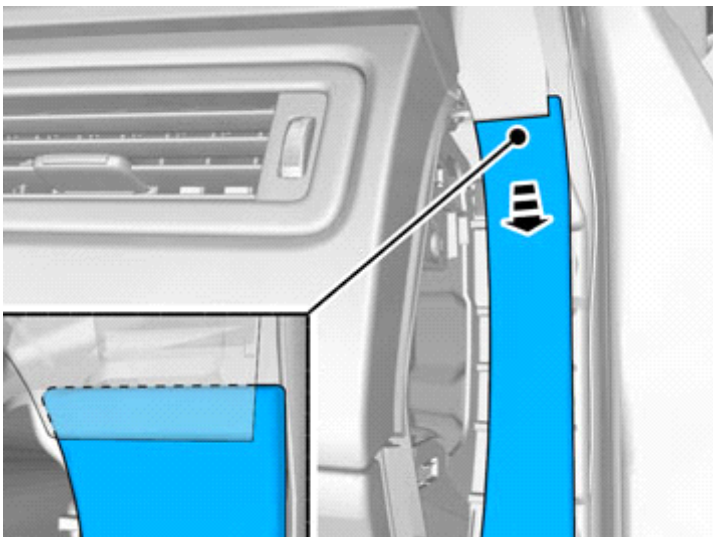
6



IMG-354318

Remove the panel.

7



IMG-354319

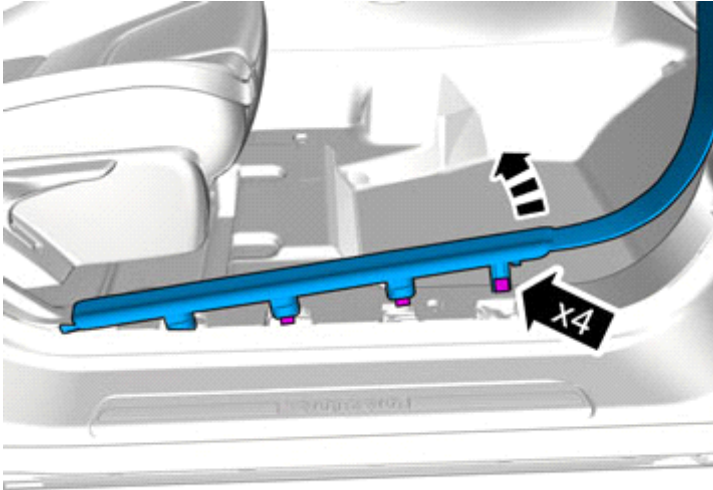
Remove the panel.



# Installation instructions, accessories

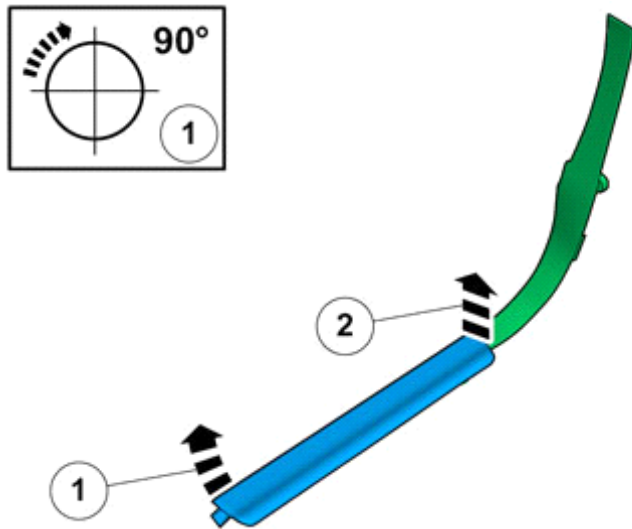
Volvo Car Corporation Gothenburg, Sweden

8



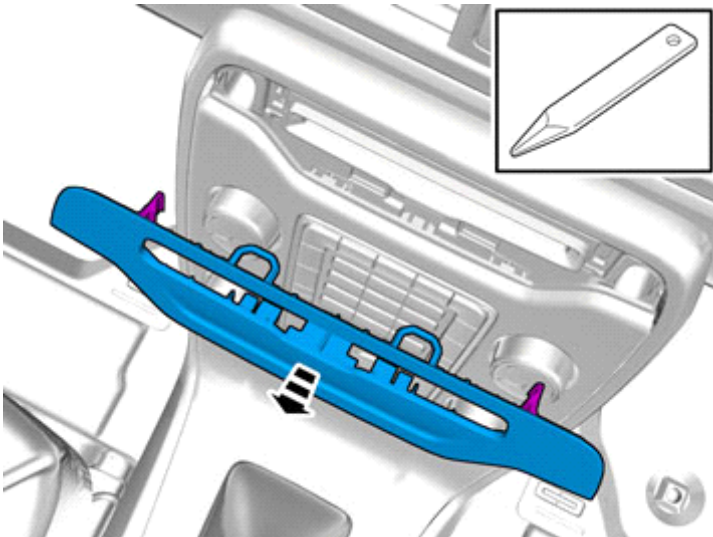
IMG-344930

9



IMG-354320

10



Remove the panel.

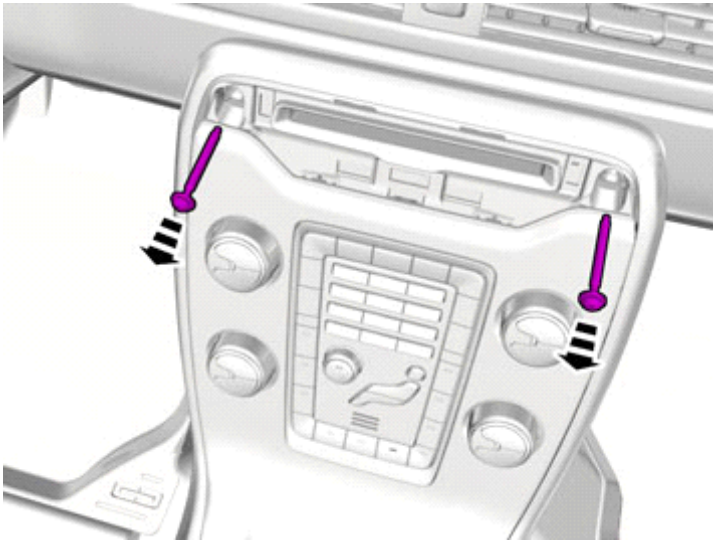
IMG-349804



# Installation instructions, accessories

Volvo Car Corporation Gothenburg, Sweden

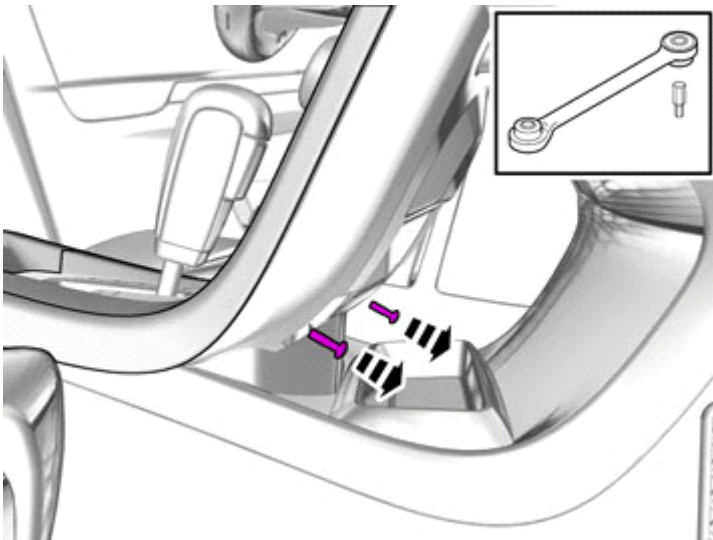
11



IMG-349806

Remove the screws.

12



IMG-345282

Remove the screws.

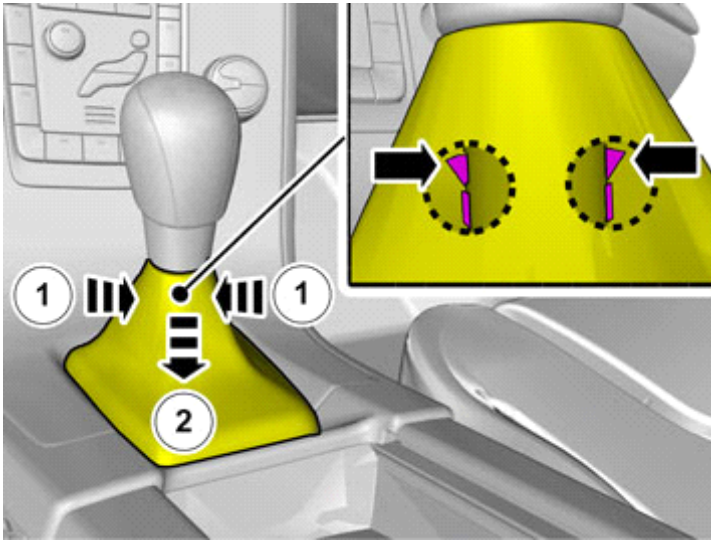
**Cars with manual transmissions**



# Installation instructions, accessories

Volvo Car Corporation Gothenburg, Sweden

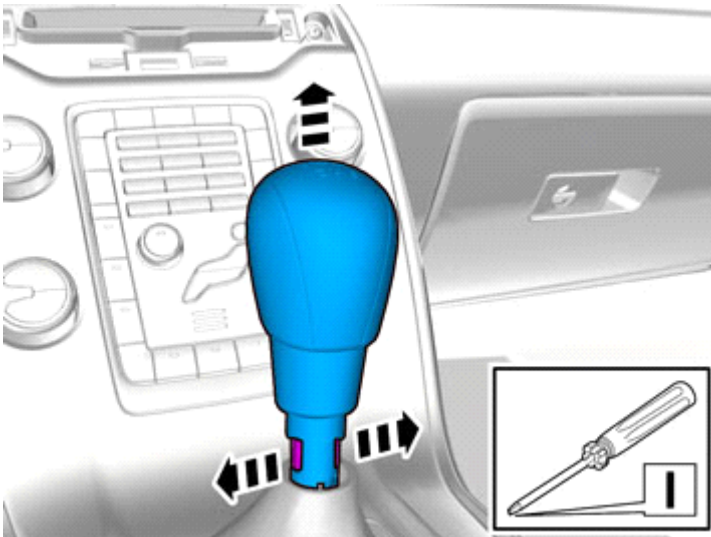
13



IMG-345747

Release the catch which is located inside the gear lever boot.

14



IMG-347222

**Cars with automatic transmissions**





# Installation instructions, accessories

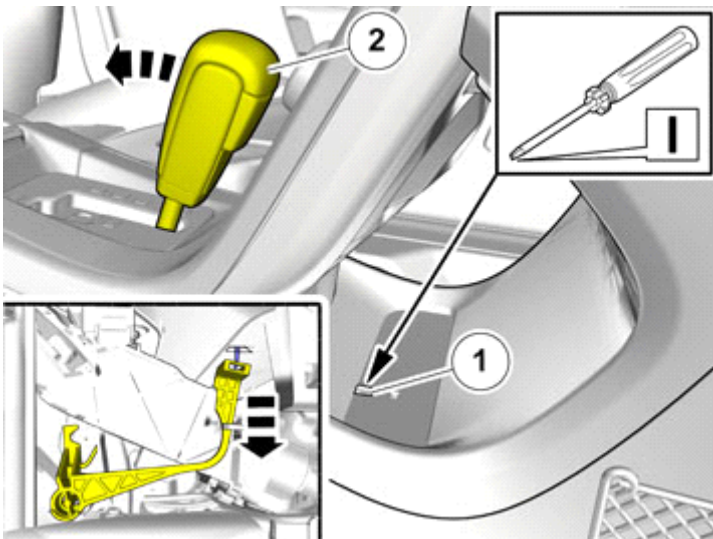
Volvo Car Corporation Gothenburg, Sweden

15



IMG-345283

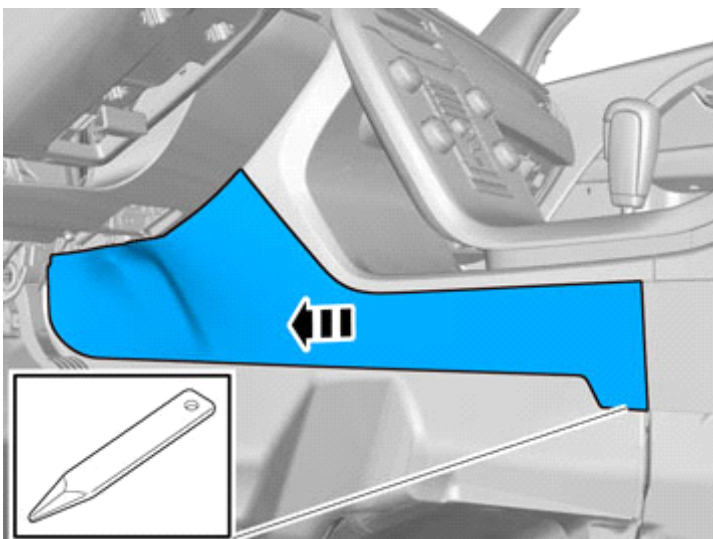
16



IMG-345284

Release the shift-lock function.

17



IMG-341878

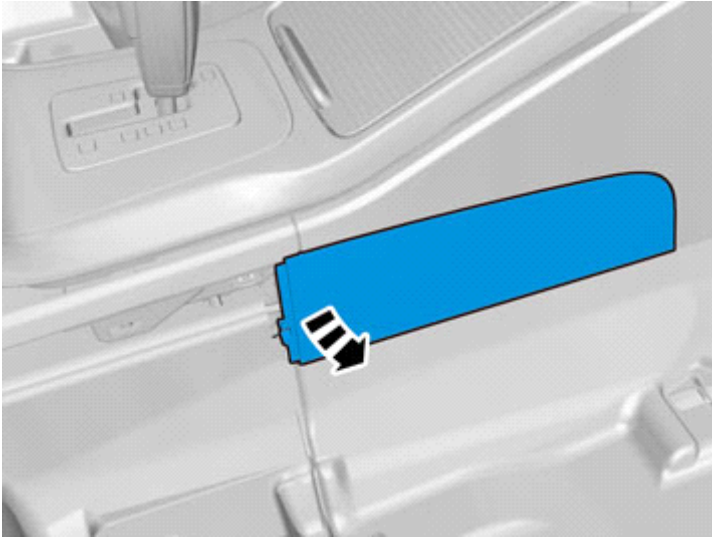
Remove the panel.



# Installation instructions, accessories

Volvo Car Corporation Gothenburg, Sweden

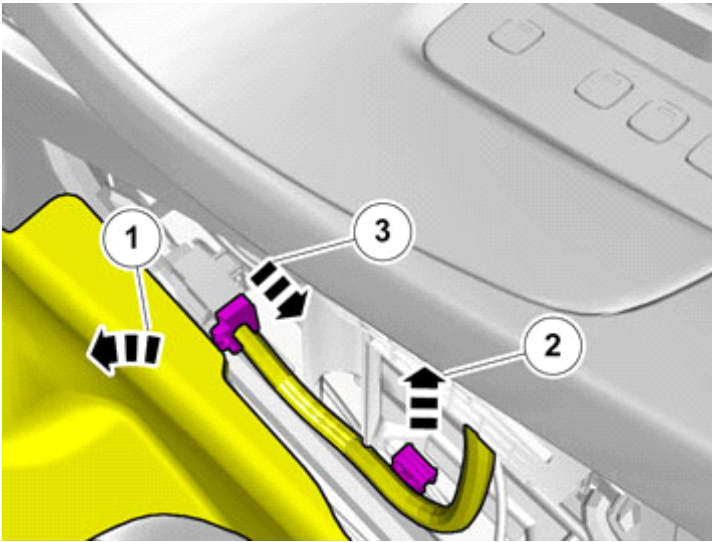
18



IMG-346036

Remove the panel.

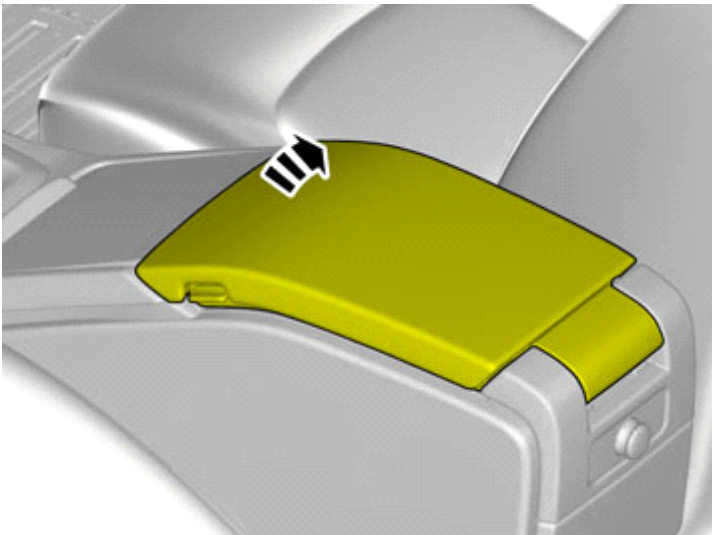
19



IMG-340599

1. Fold the carpet to the side.
2. Unhook the clip(s).
3. Disconnect the connector.

20



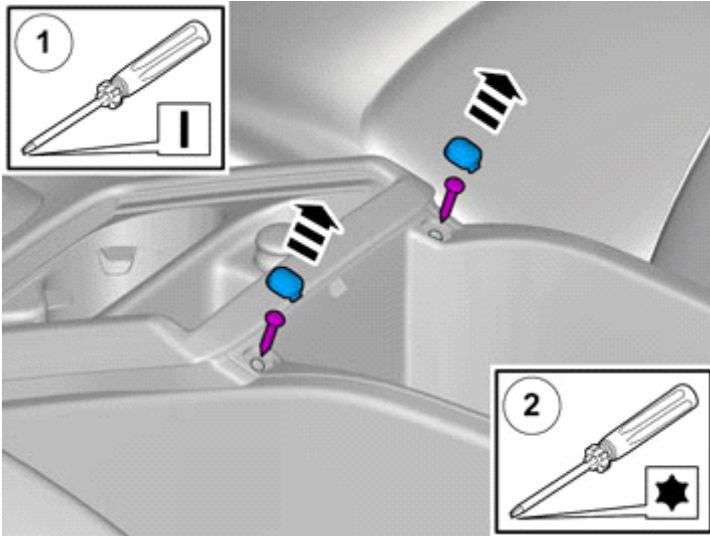
IMG-353601



# Installation instructions, accessories

Volvo Car Corporation Gothenburg, Sweden

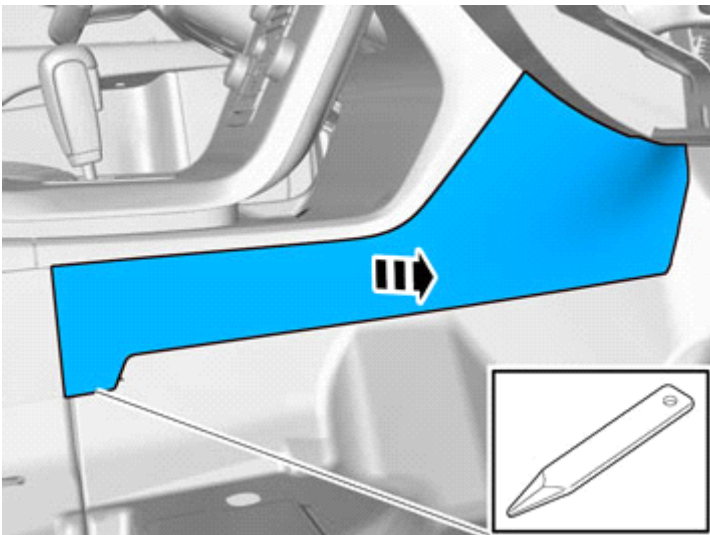
21



IMG-353602

Remove the screws.

22



IMG-347139

Remove the panel.

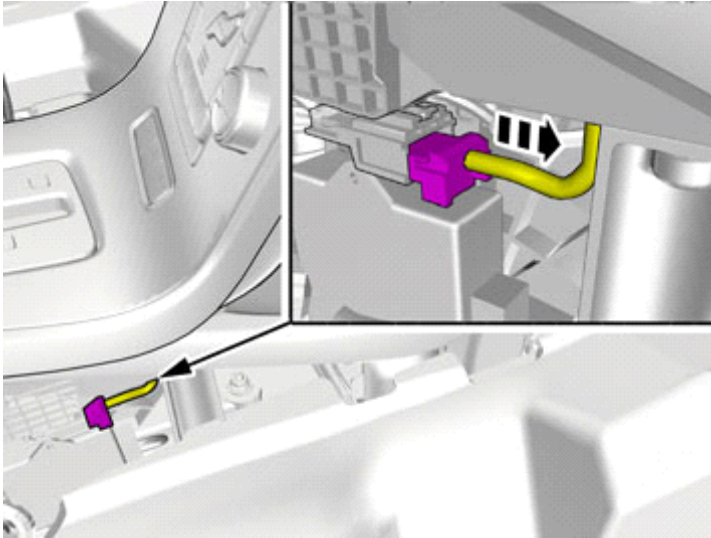
**Vehicles with the 4C system.**



# Installation instructions, accessories

Volvo Car Corporation Gothenburg, Sweden

23

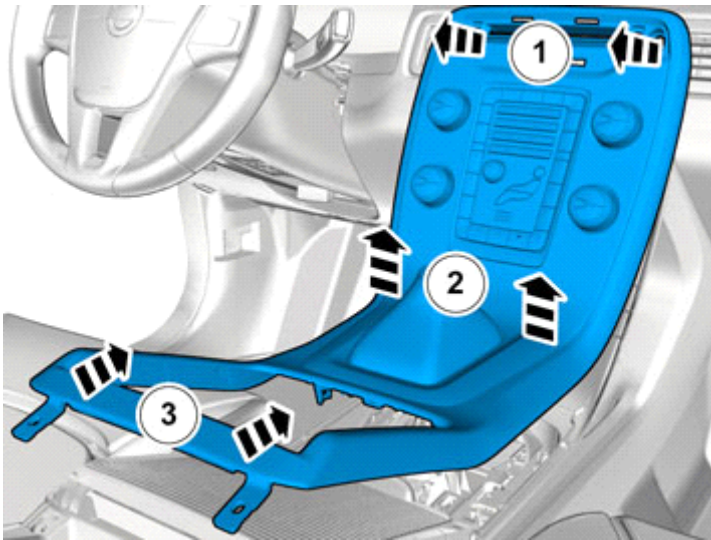


IMG-345317

Disconnect the connector.

All vehicles

24



IMG-349826

**Caution!**

Be careful not to damage the catches.

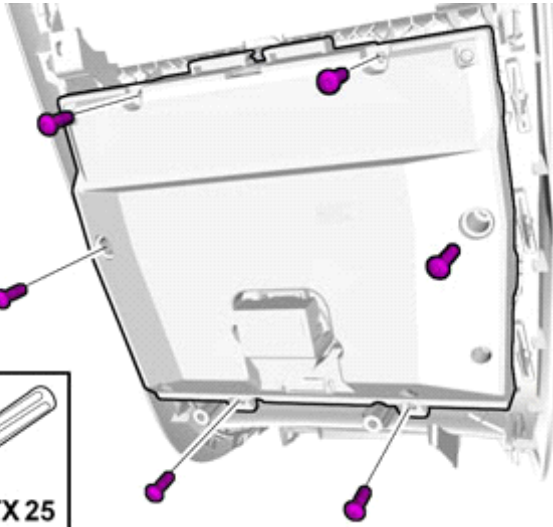
Remove the panel.



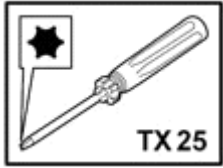
# Installation instructions, accessories

Volvo Car Corporation Gothenburg, Sweden

25

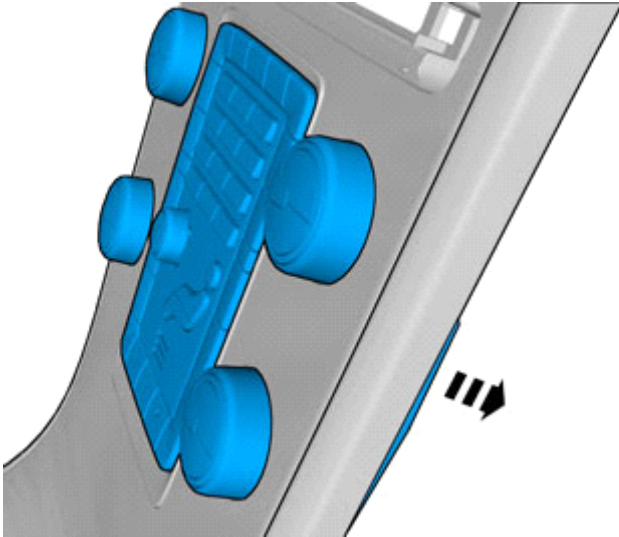


Remove the screws.



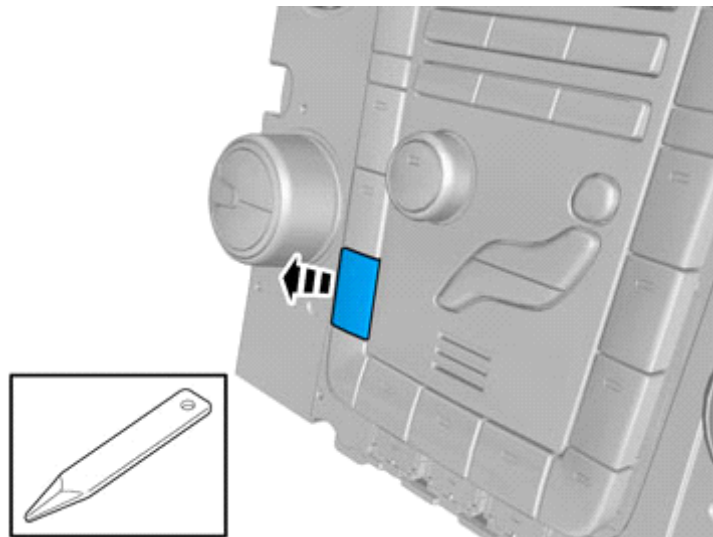
IMG-340605

26



IMG-345296

27



IMG-380815

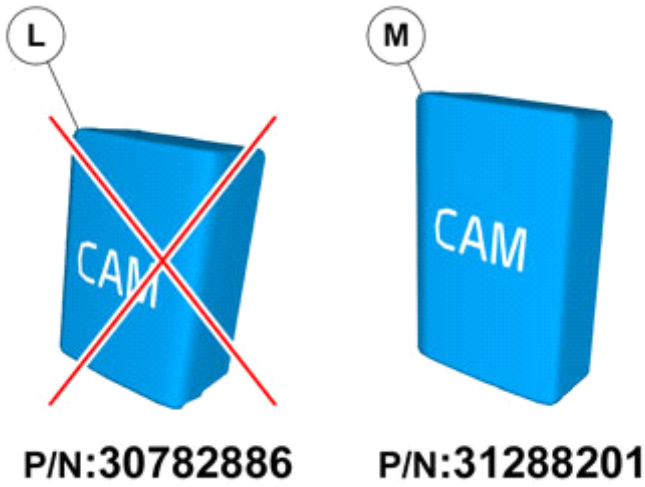


# Installation instructions, accessories

Volvo Car Corporation Gothenburg, Sweden

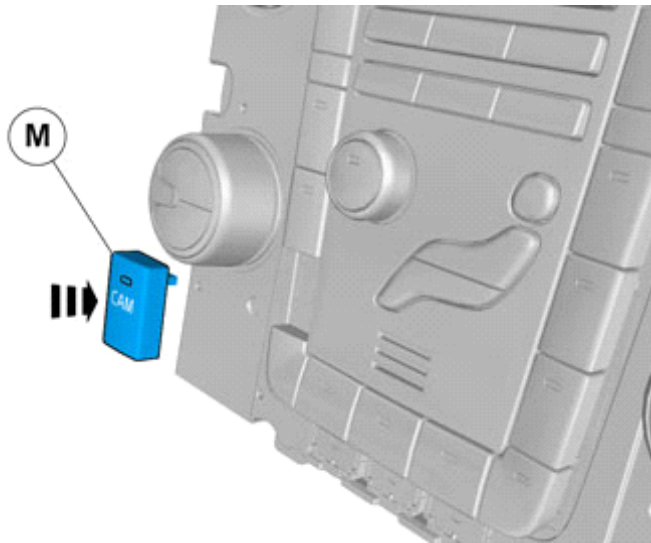
## Accessory installation

28



IMG-380819

29



IMG-380816

## Removal



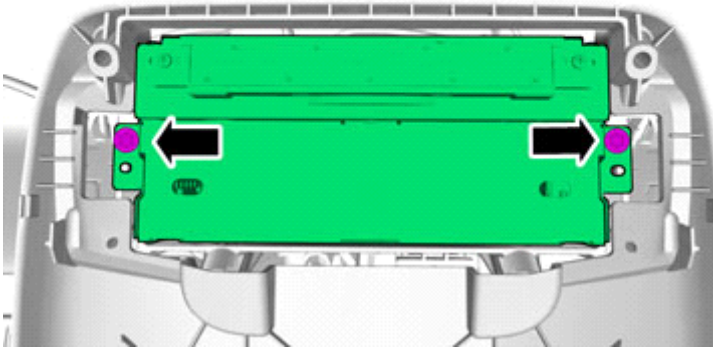
# Installation instructions, accessories

Volvo Car Corporation Gothenburg, Sweden

30

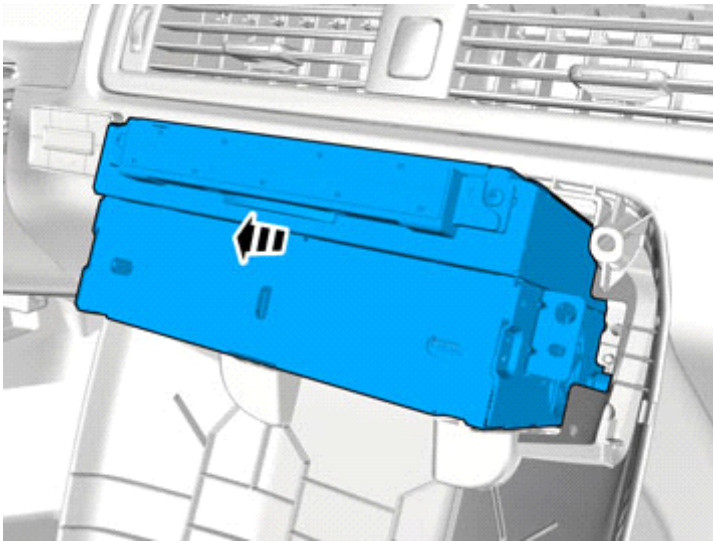


Remove the screws.



IMG-349942

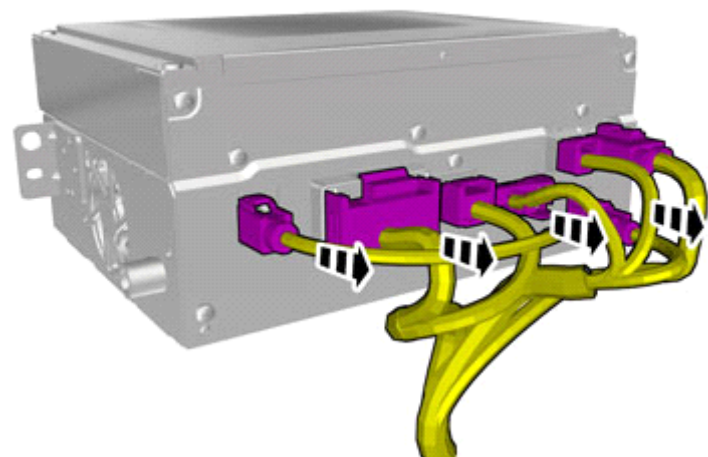
31



IMG-349946

32

Disconnect the connectors.



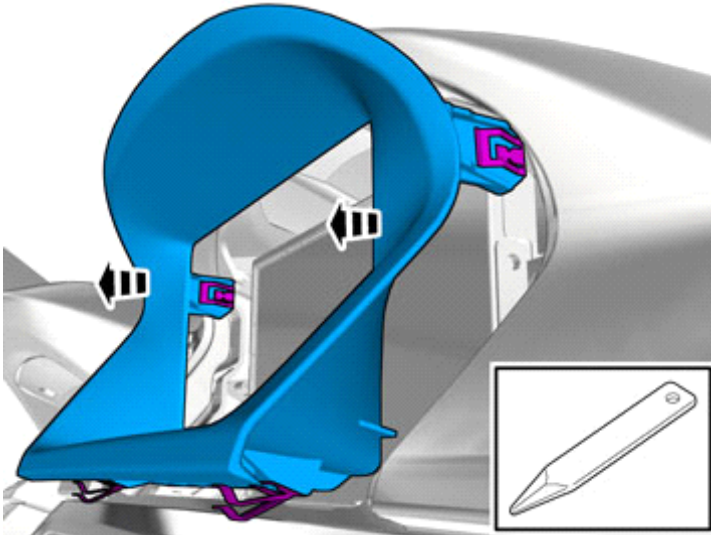
IMG-353492



# Installation instructions, accessories

Volvo Car Corporation Gothenburg, Sweden

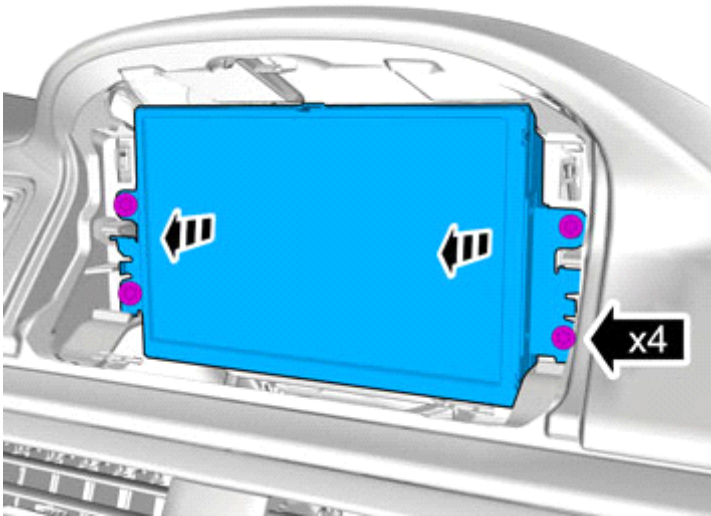
33



IMG-349876

Remove the panel.

34

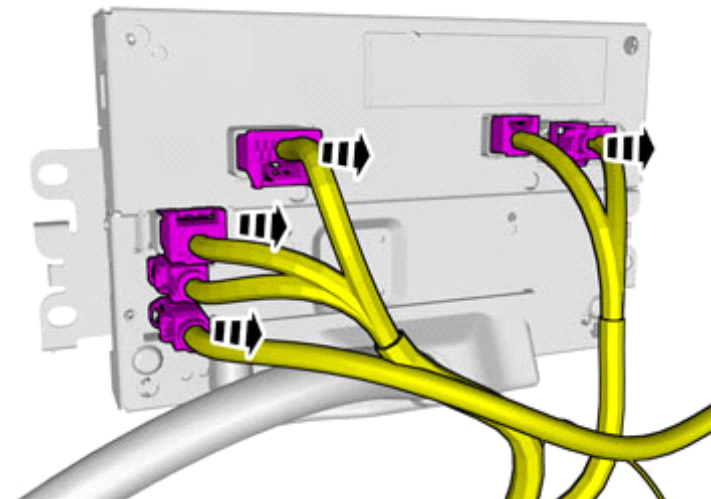


IMG-349877

Remove the screws.

Remove the panel.

35



IMG-349901

**Caution!**

The number of connectors can vary depending on the vehicle's equipment level.

Disconnect the connectors.

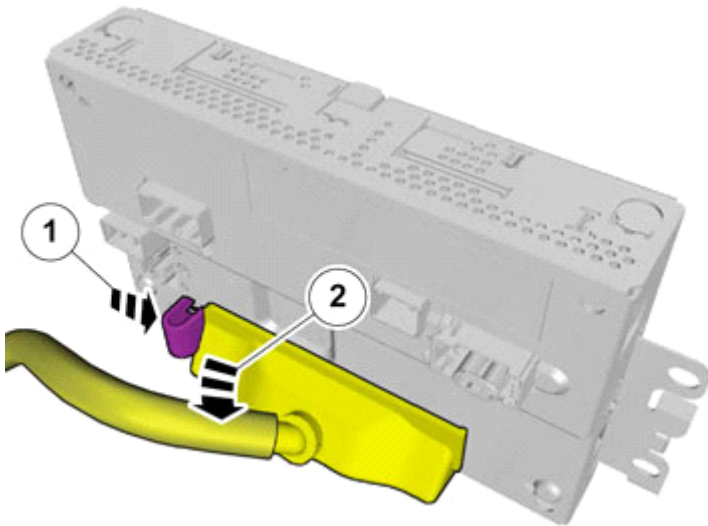




# Installation instructions, accessories

Volvo Car Corporation Gothenburg, Sweden

36



IMG-349903

37



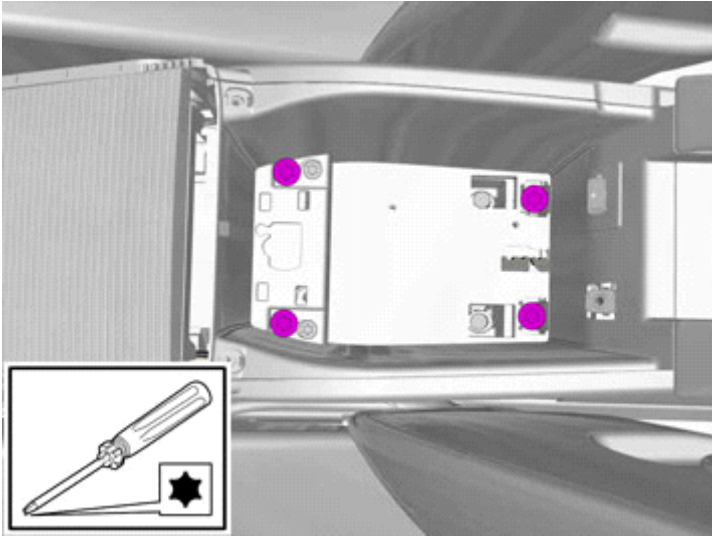
IMG-353512



# Installation instructions, accessories

Volvo Car Corporation Gothenburg, Sweden

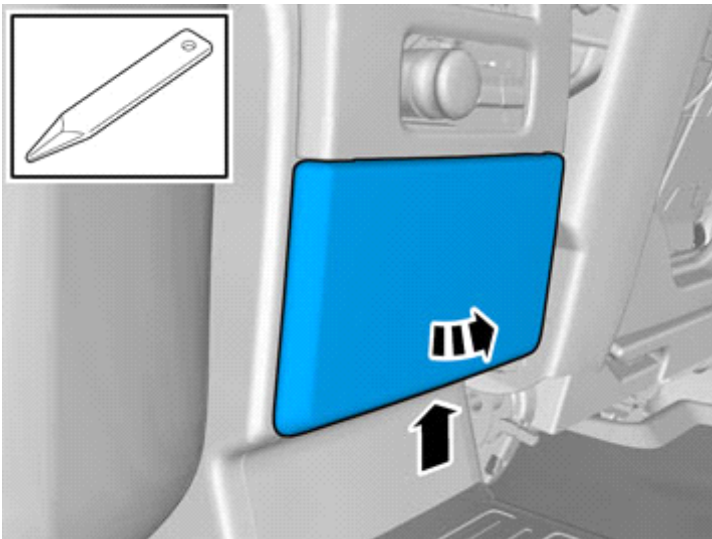
38



IMG-353511

Remove the screws.

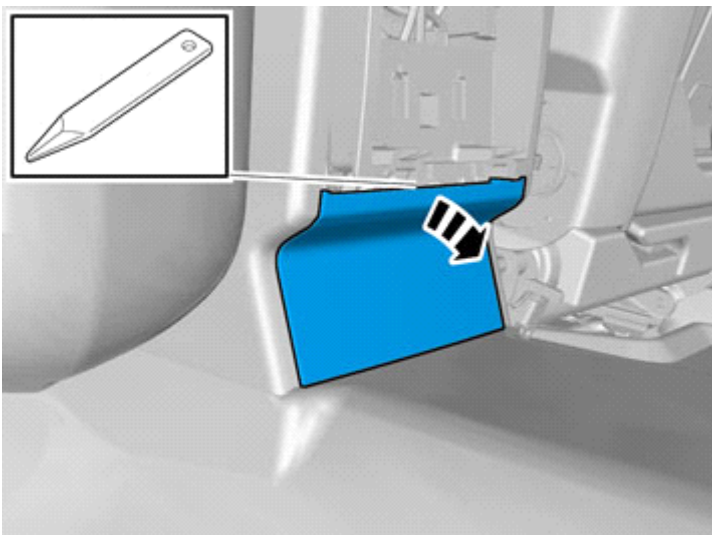
39



IMG-349993

Remove the panel.

40



IMG-350006

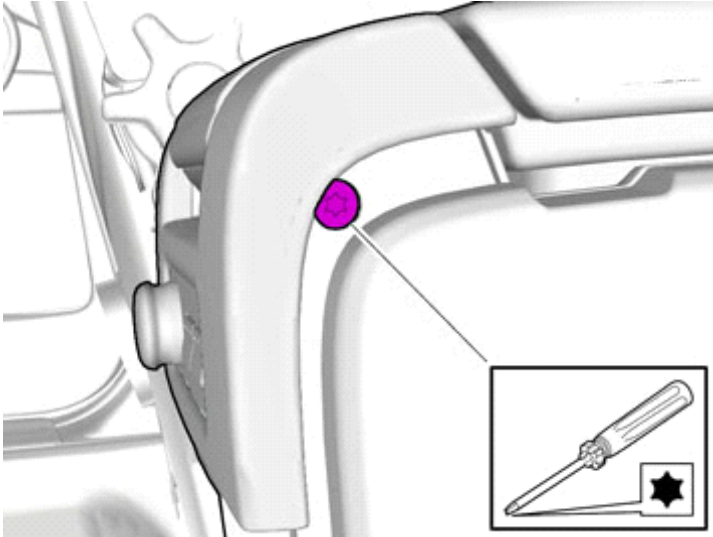
Remove the panel.



# Installation instructions, accessories

Volvo Car Corporation Gothenburg, Sweden

41

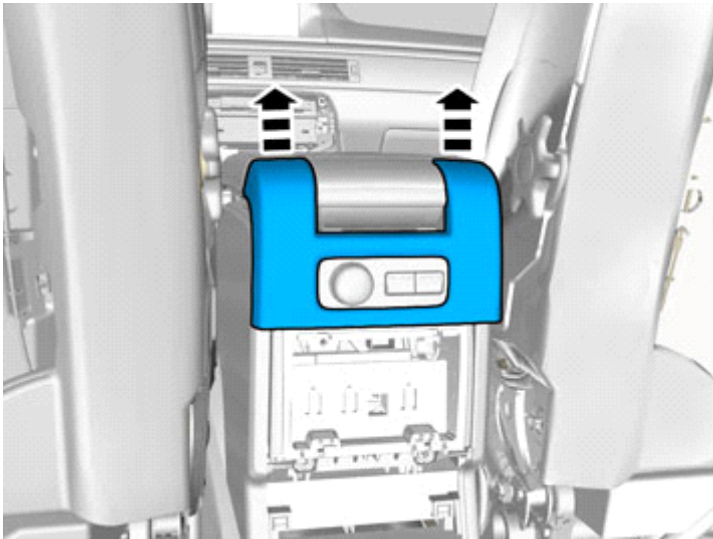


IMG-352301

Remove the screws.

On both sides.

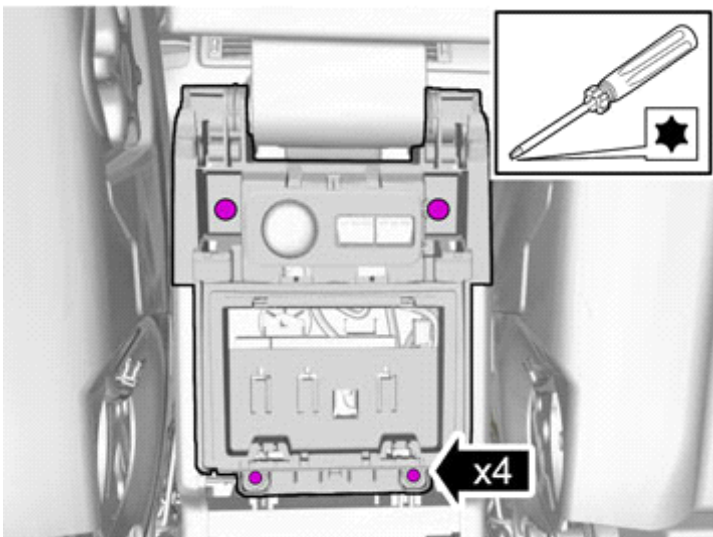
42



IMG-352271

Remove the panel.

43



IMG-350026

Remove the screws.



# Installation instructions, accessories

Volvo Car Corporation Gothenburg, Sweden

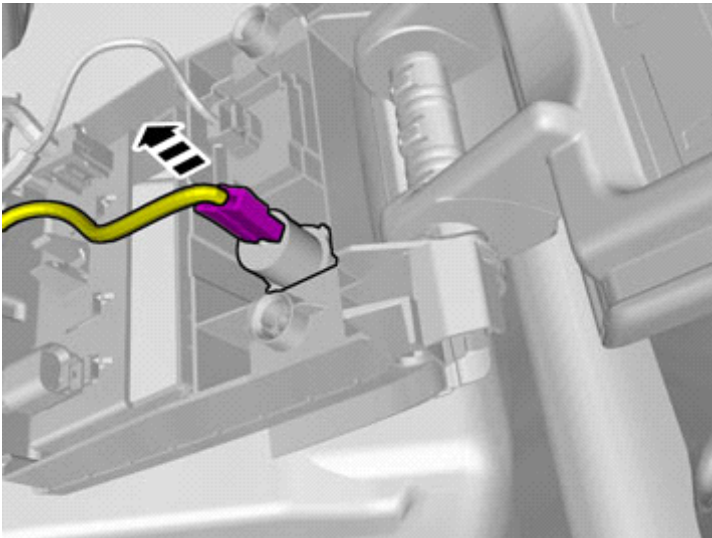
44



IMG-349999

Detach the panel.

45



IMG-349992

Disconnect the connector.

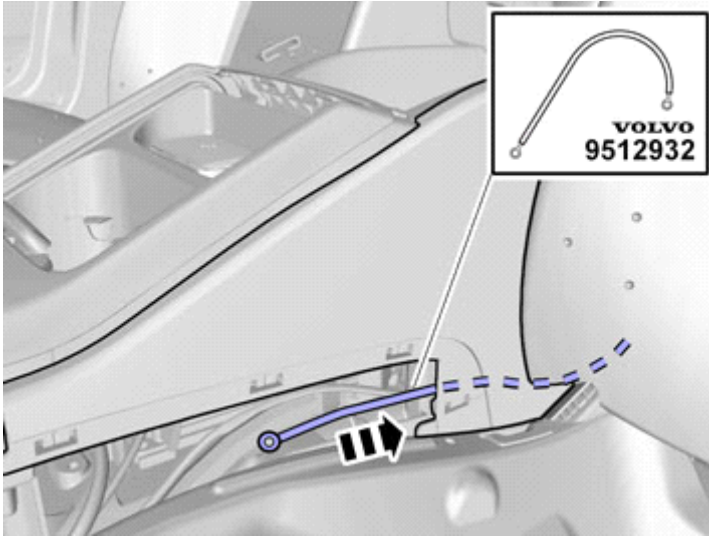
## Accessory installation



# Installation instructions, accessories

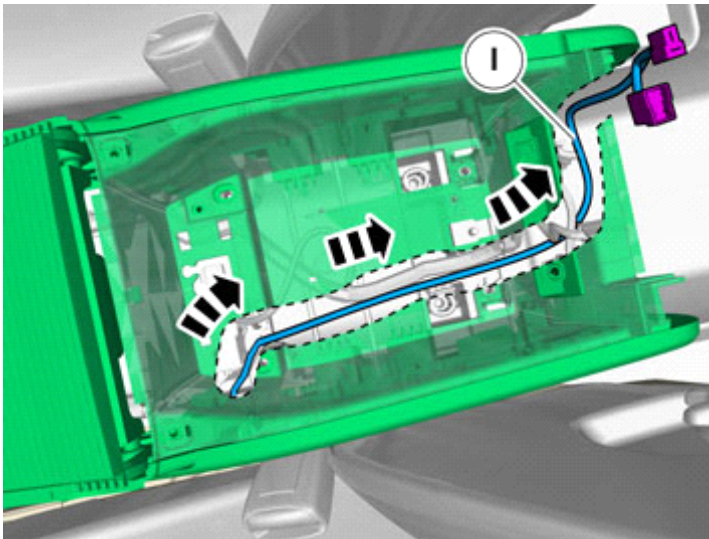
Volvo Car Corporation Gothenburg, Sweden

46



IMG-350072

47



IMG-355161

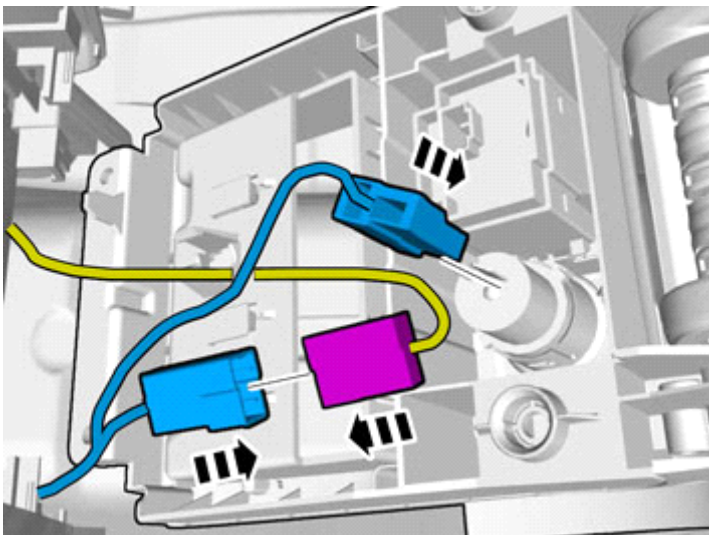
**Caution!**

Make sure that no part of the wiring harness is trapped.

Facilitate cable routing by temporarily raising the floor bracket using a socket or similar.

Pull the wiring through.

48



IMG-355174

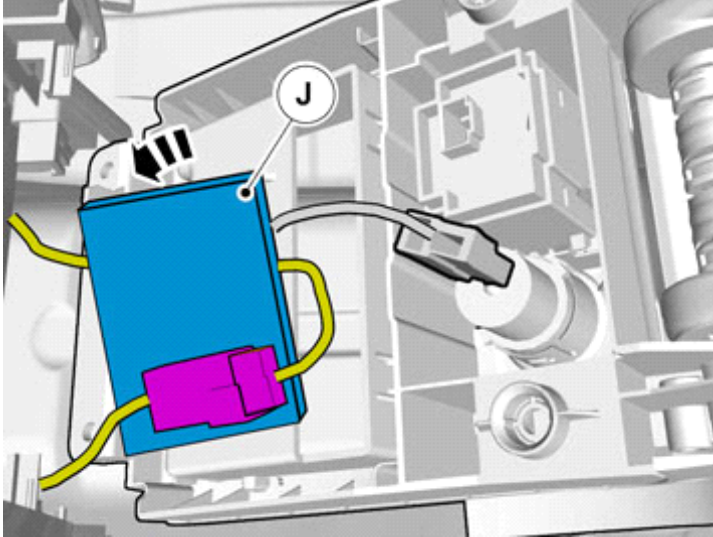
Connect the connectors.



# Installation instructions, accessories

Volvo Car Corporation Gothenburg, Sweden

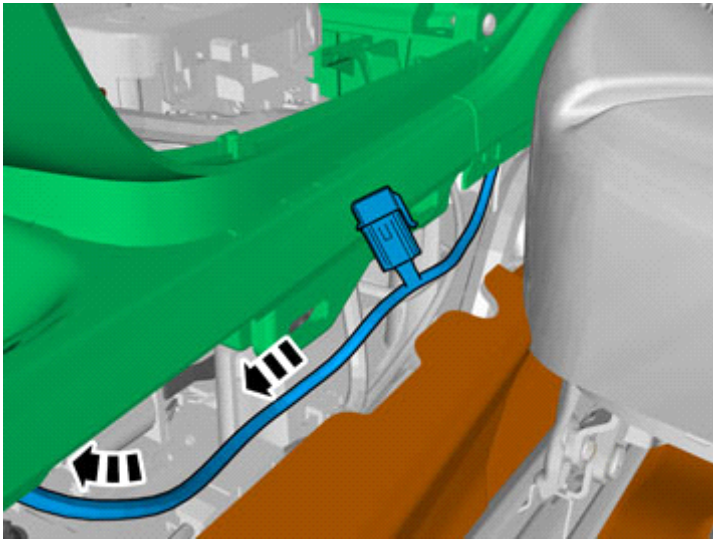
49



IMG-355175

Tear off the excess foam tape.

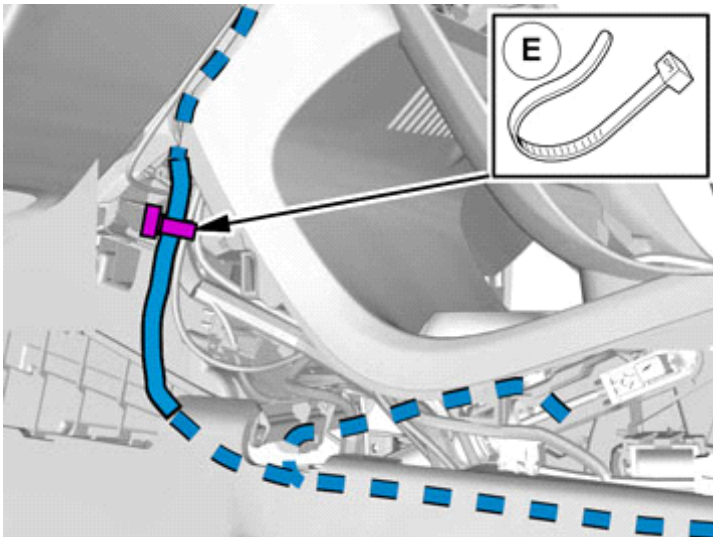
50



IMG-355200

Route the cable harness to the existing cable harness.

51



IMG-345857

Route the cable harness to the existing cable harness.

Install the cable.

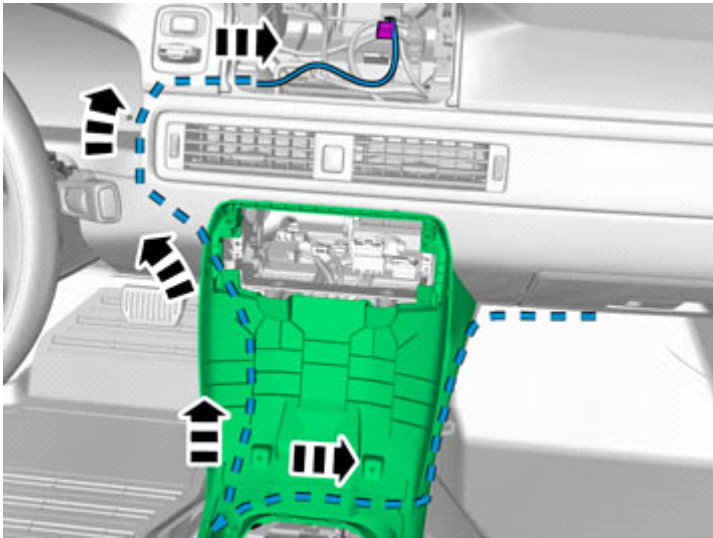
Pull the wiring through.



# Installation instructions, accessories

Volvo Car Corporation Gothenburg, Sweden

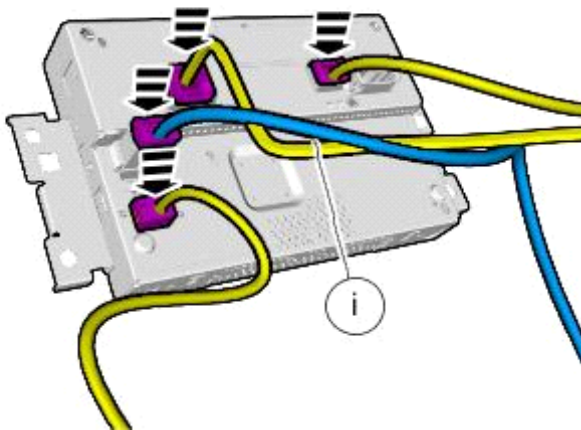
52



IMG-355206

53

Connect the connectors.



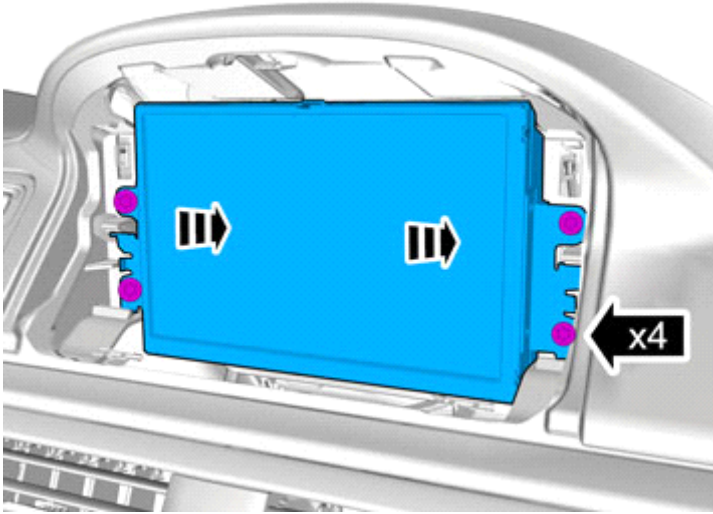
IMG-345863



# Installation instructions, accessories

Volvo Car Corporation Gothenburg, Sweden

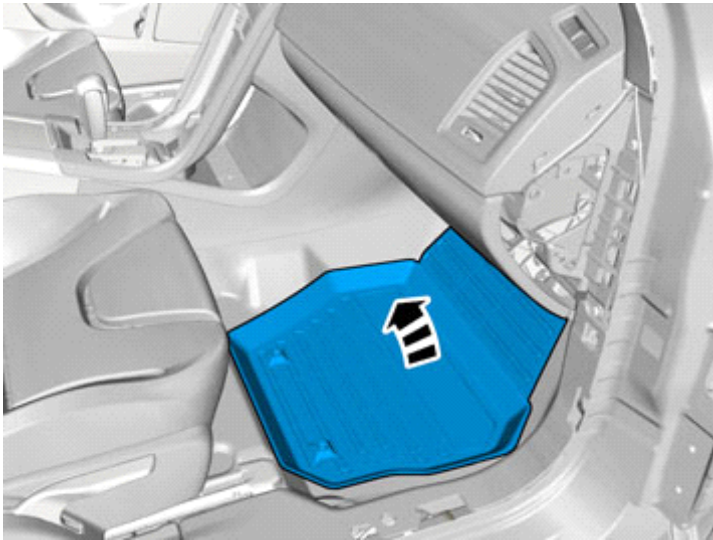
54



IMG-349904

## Removal

55



IMG-352186

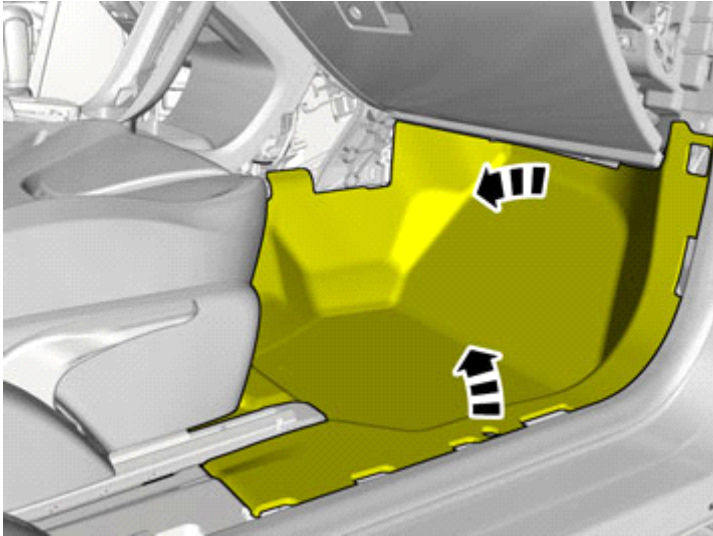




# Installation instructions, accessories

Volvo Car Corporation Gothenburg, Sweden

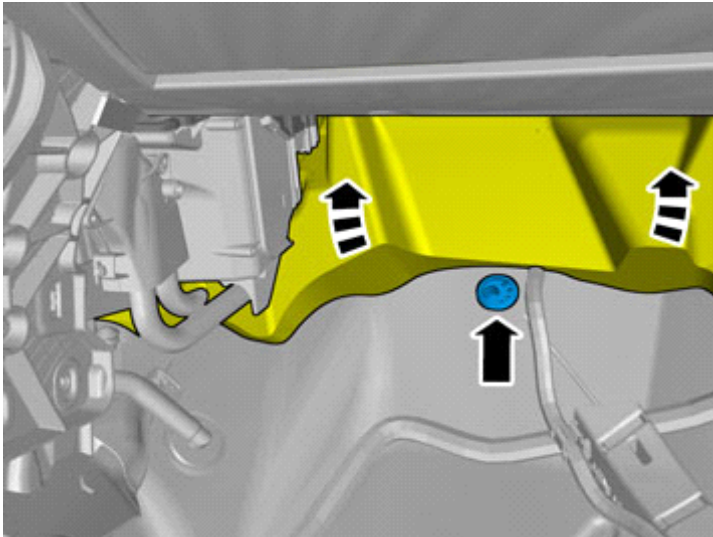
56



IMG-352187

Fold the carpet to the side.

57



IMG-353339

Fold the insulation to one side.

Locate the rubber grommet under the insulation and press it out.

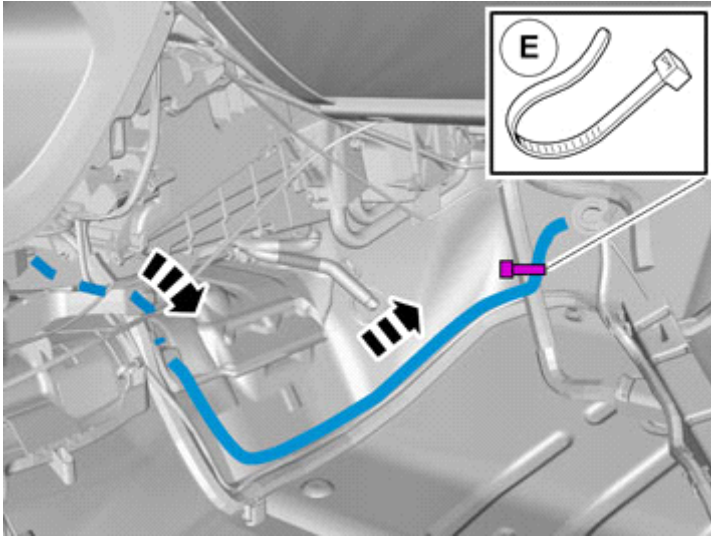
## Accessory installation



# Installation instructions, accessories

Volvo Car Corporation Gothenburg, Sweden

58



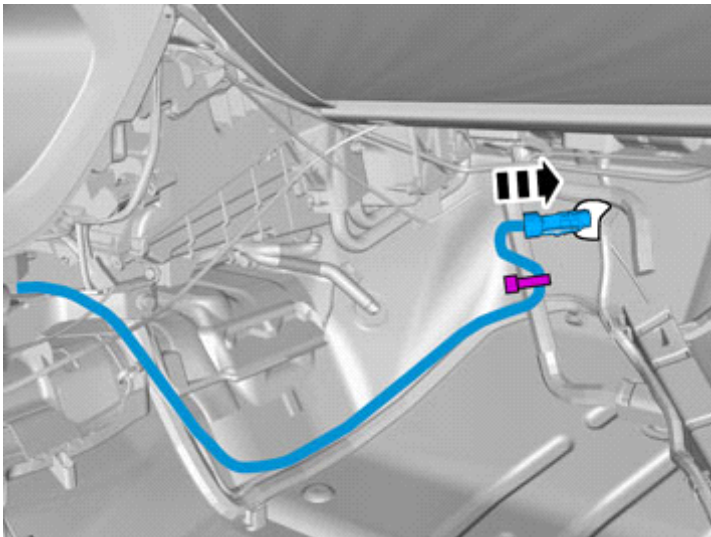
IMG-345859

**Note!**

Do not yet tighten the clamps.

Route the cable harness to the existing cable harness.

59



IMG-345860

## Installation

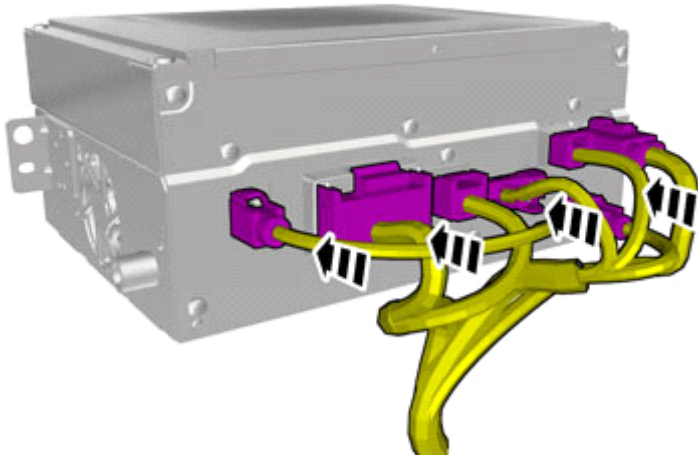


# Installation instructions, accessories

Volvo Car Corporation Gothenburg, Sweden

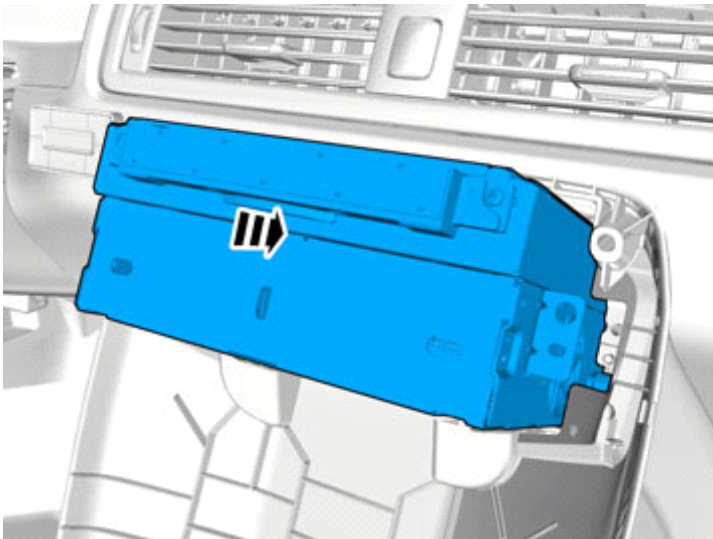
60

Connect the connectors.



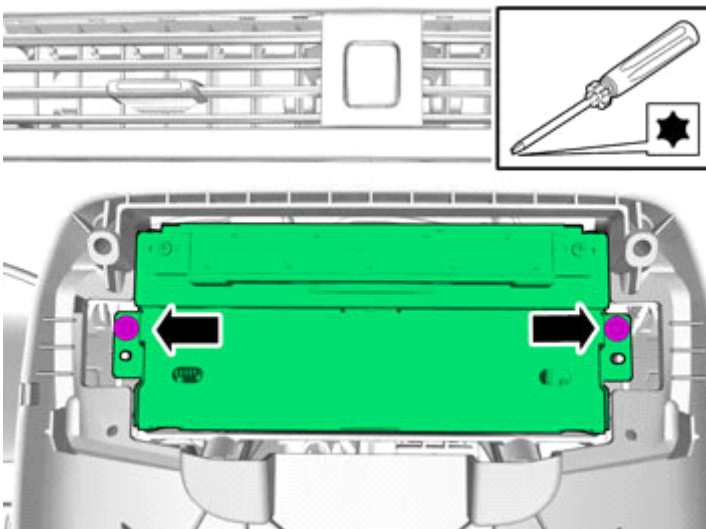
IMG-353491

61



IMG-349948

62



Install the screws.

IMG-349942

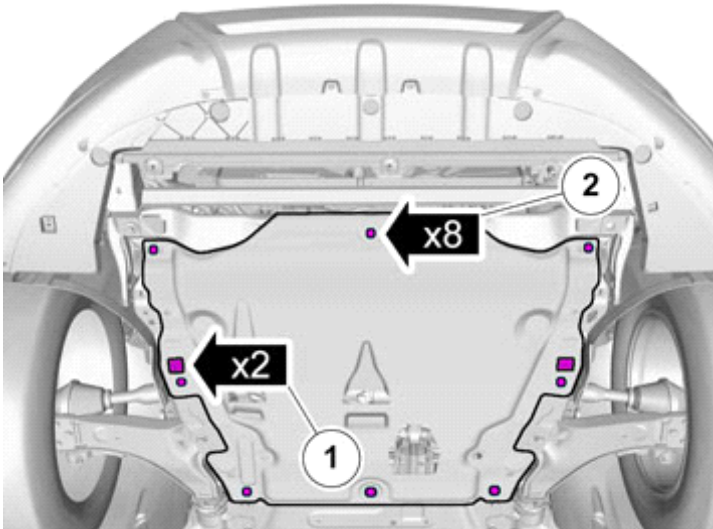


# Installation instructions, accessories

Volvo Car Corporation Gothenburg, Sweden

## Removal

63

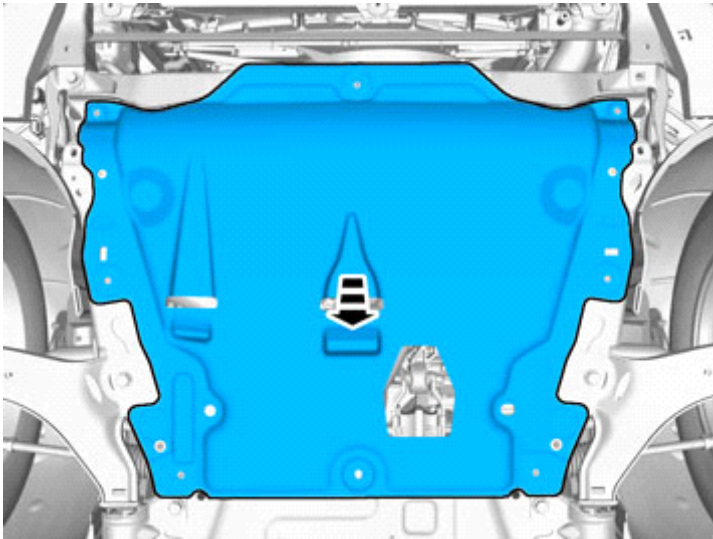


IMG-345877

Remove the clips.

Remove the screws.

64



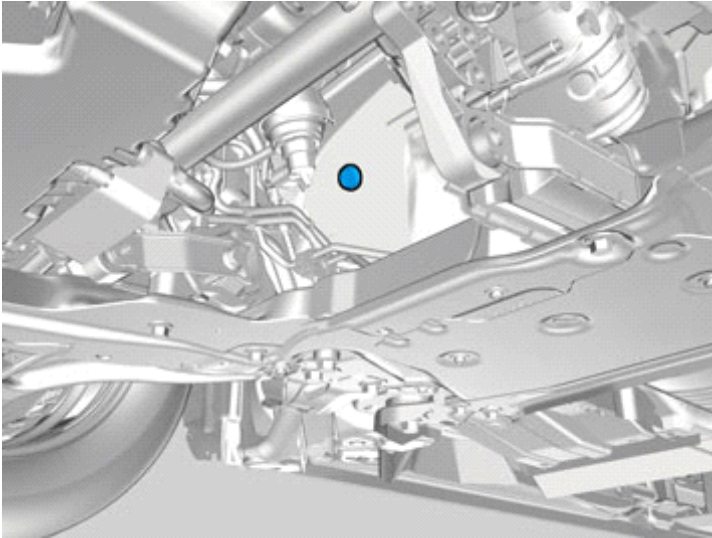
IMG-345878



# Installation instructions, accessories

Volvo Car Corporation Gothenburg, Sweden

65



IMG-345879

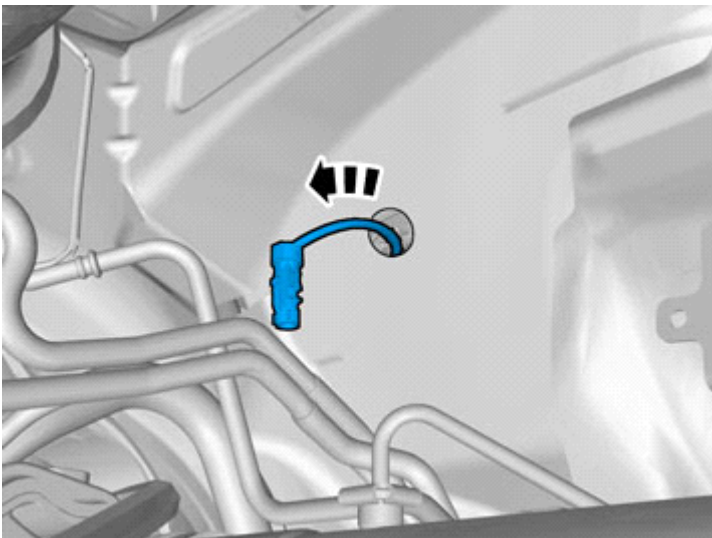
**Note!**

On some markets the rubber grommet may be covered by the heat shield.

---

## Accessory installation

66



IMG-345880

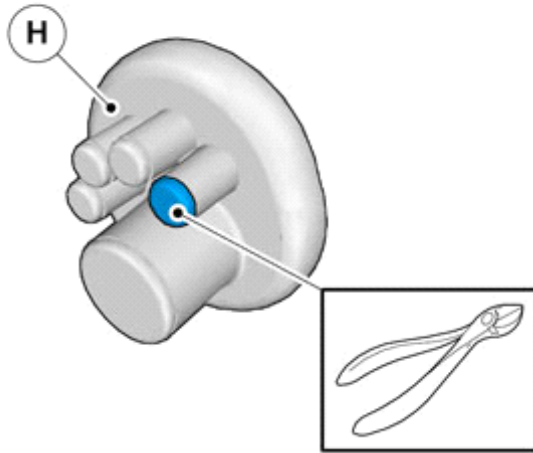
Pull the wiring through.



# Installation instructions, accessories

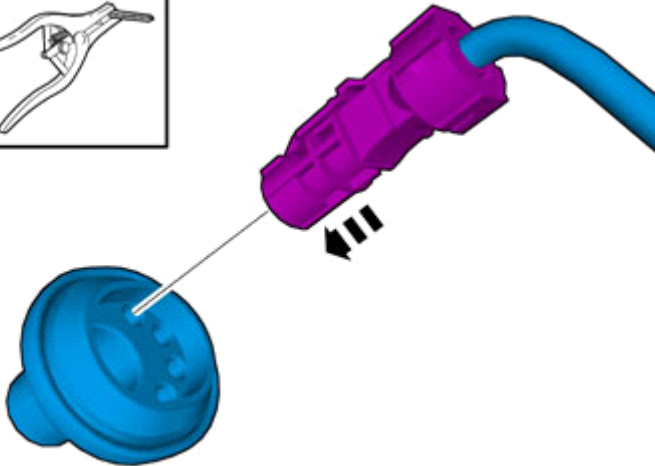
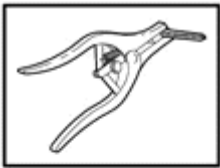
Volvo Car Corporation Gothenburg, Sweden

67



IMG-345881

68



**Caution!**

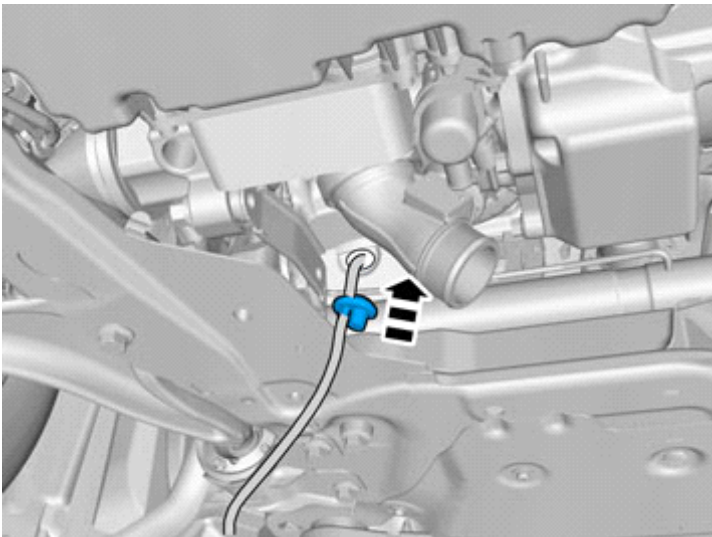
Take extra care when handling the component.

Pull the wiring through.

**Use:** 1161427, Low temperature grease

IMG-353681

69

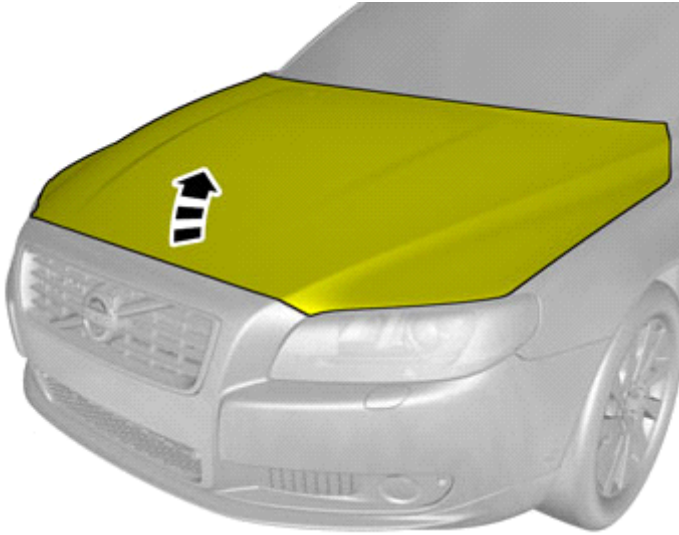


IMG-345883



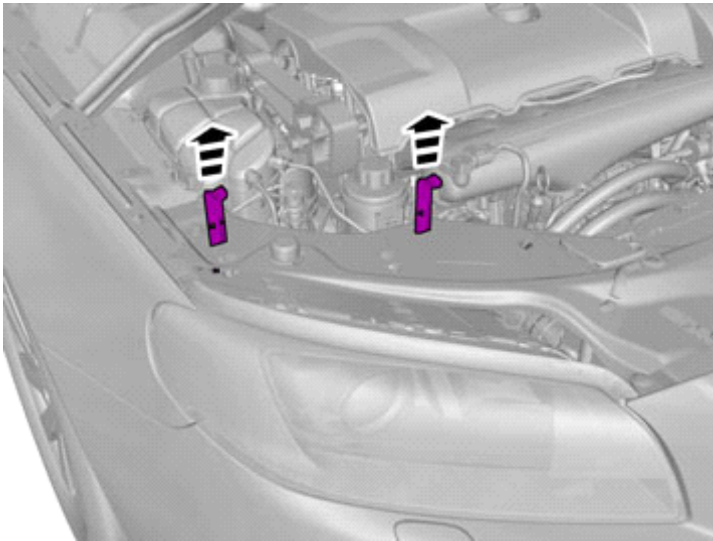
## Removal

70



IMG-353376

71



Release the catches.

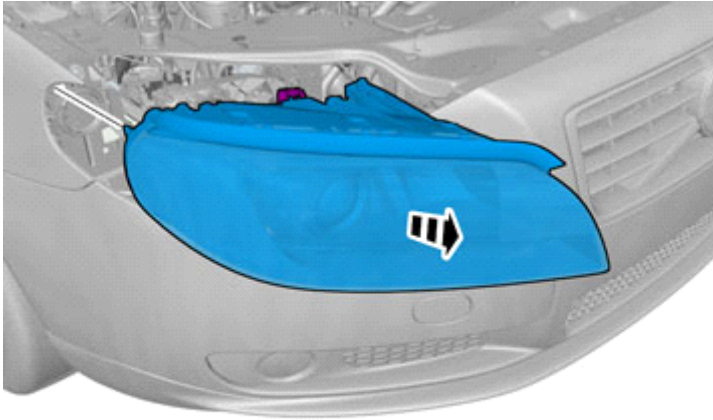
IMG-353377



# Installation instructions, accessories

Volvo Car Corporation Gothenburg, Sweden

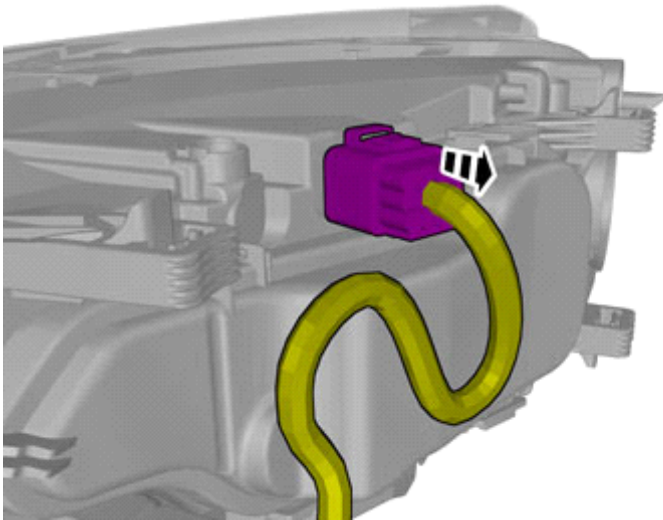
72



IMG-353378

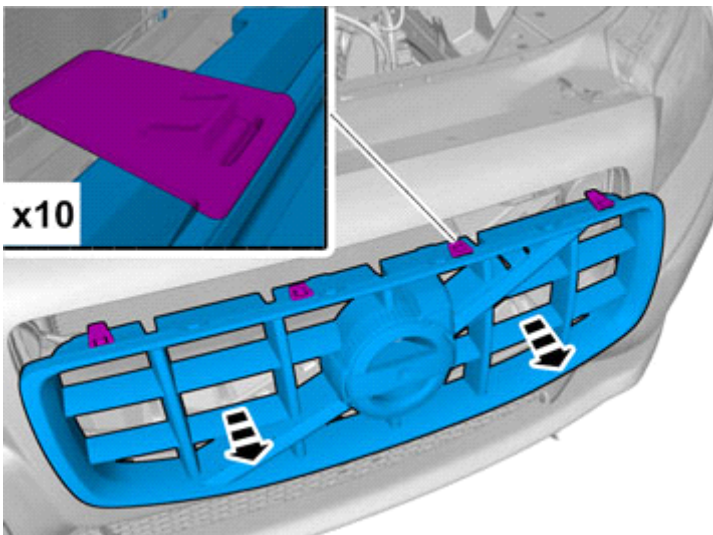
73

Disconnect the connector.



IMG-353381

74



IMG-354328

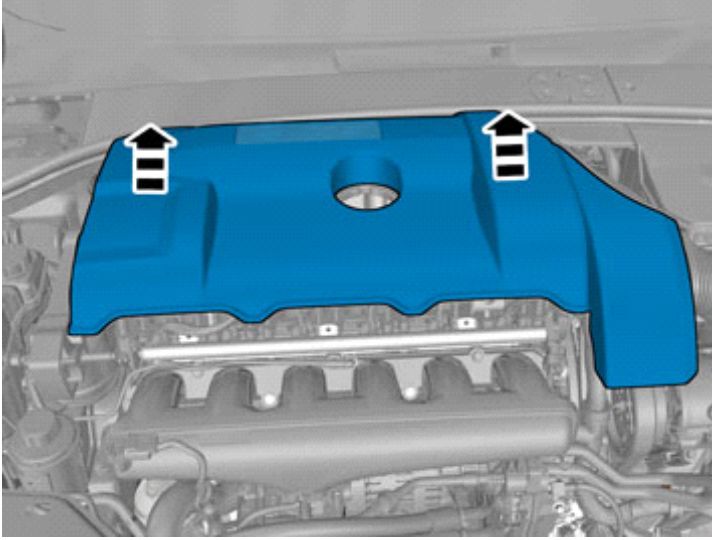




# Installation instructions, accessories

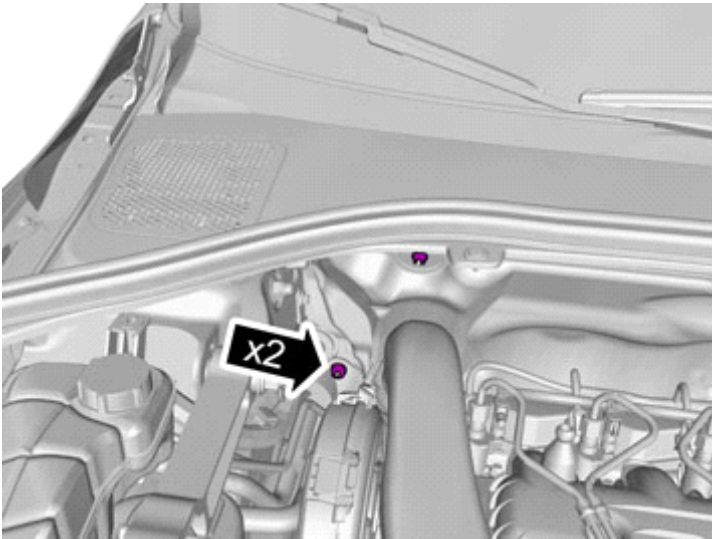
Volvo Car Corporation Gothenburg, Sweden

75



IMG-273585

76



IMG-340533

Remove the nuts.

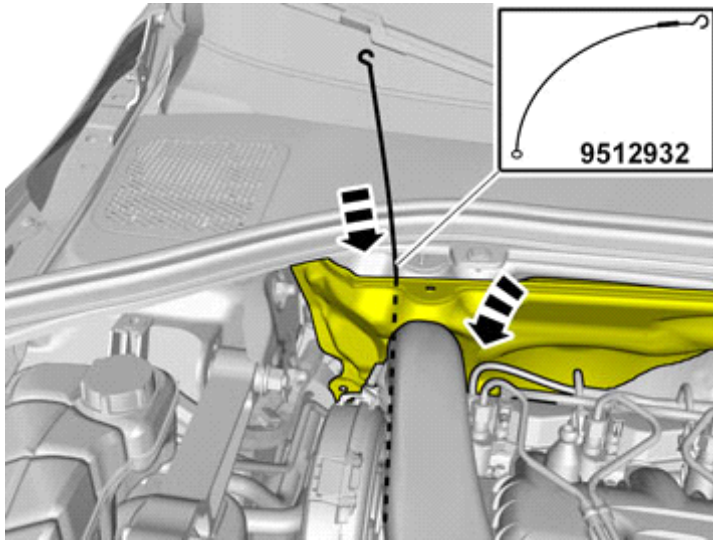
## Accessory installation



# Installation instructions, accessories

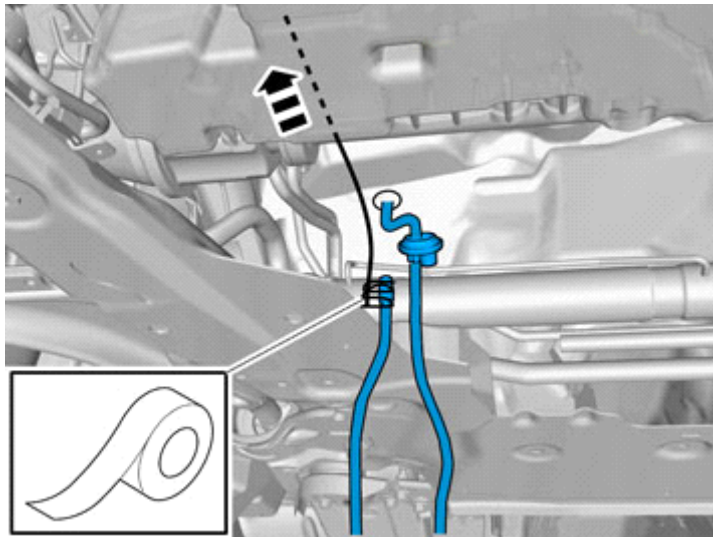
Volvo Car Corporation Gothenburg, Sweden

77



IMG-340606

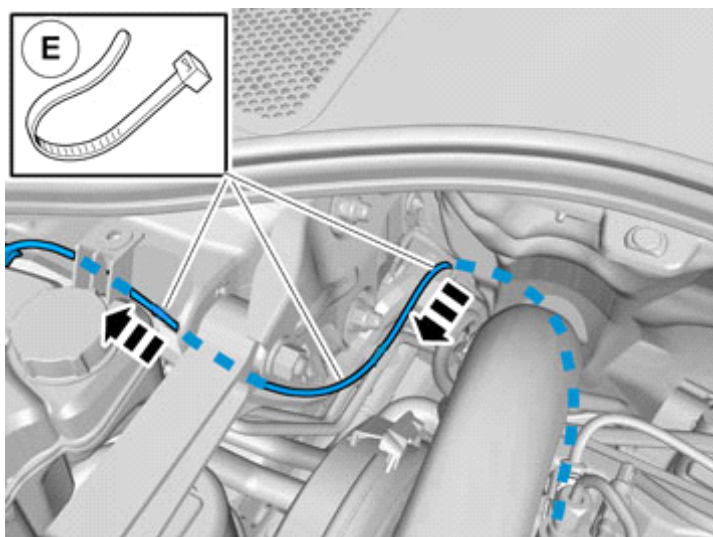
78



IMG-345884

Pull the wiring through.

79



IMG-345885

**Caution!**

Make sure to locate the wiring in such a way that any damage caused by heat or excessive wear is avoided.

**Note!**

Do not yet tighten the clamps.

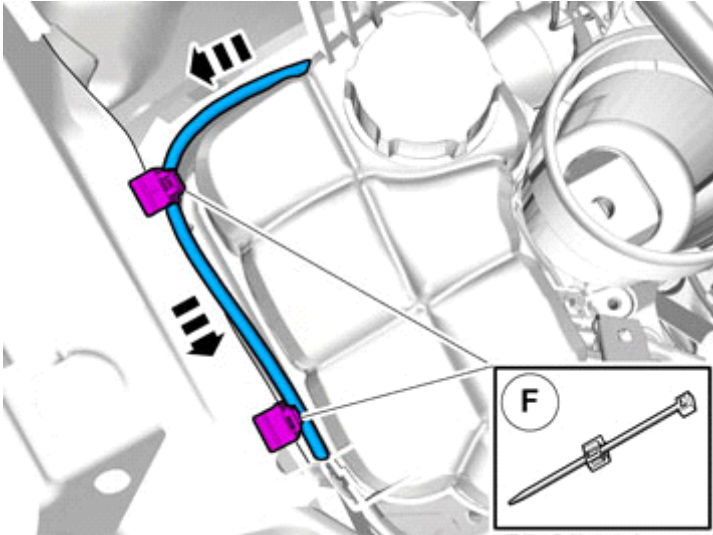
Route the cable harness to the existing cable harness.



# Installation instructions, accessories

Volvo Car Corporation Gothenburg, Sweden

80

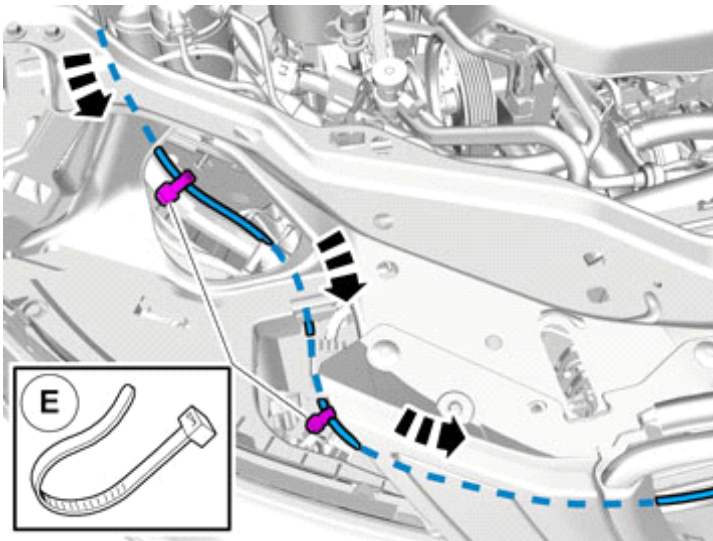


IMG-345886

**Note!**

Do not yet tighten the clamps.

81



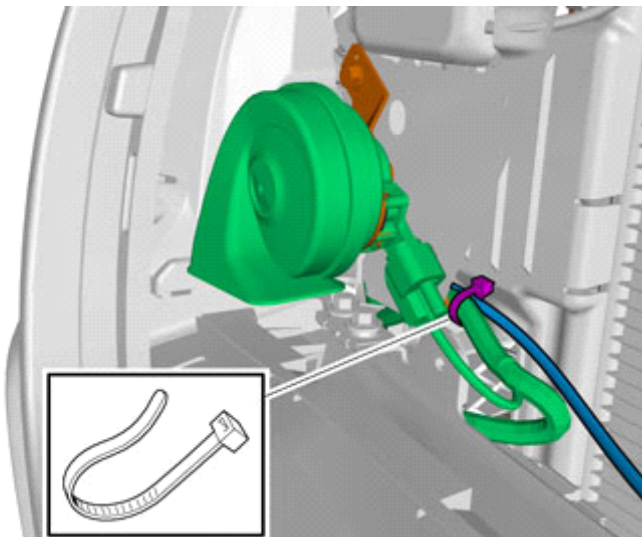
IMG-345887

**Note!**

Do not yet tighten the clamps.

Route the cable harness to the existing cable harness.

82



IMG-353446

**Note!**

Do not yet tighten the clamps.

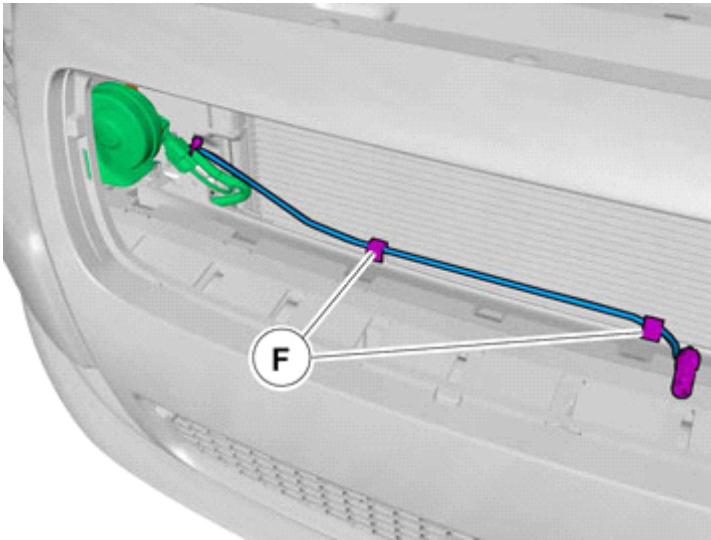
Route the cable harness to the existing cable harness.



# Installation instructions, accessories

Volvo Car Corporation Gothenburg, Sweden

83

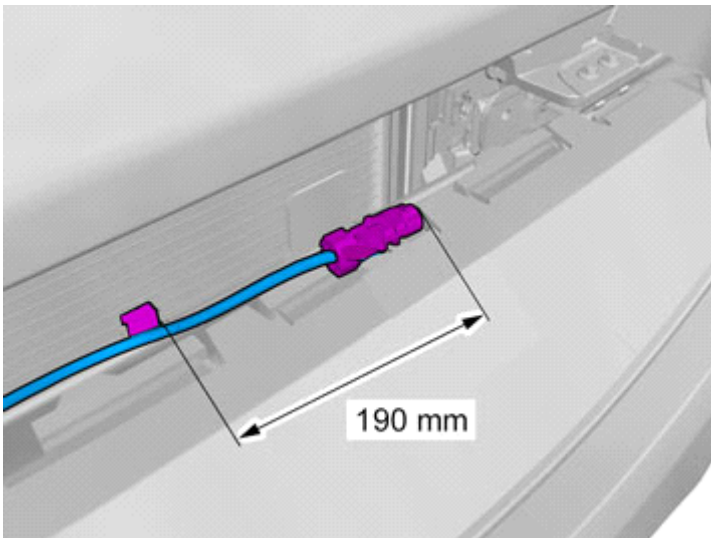


IMG-353447

**Note!**

Do not yet tighten the clamps.

84



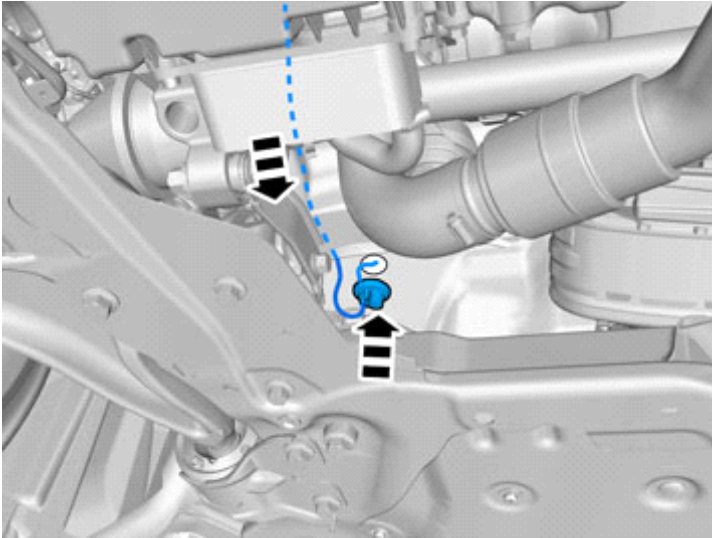
IMG-345889



# Installation instructions, accessories

Volvo Car Corporation Gothenburg, Sweden

85



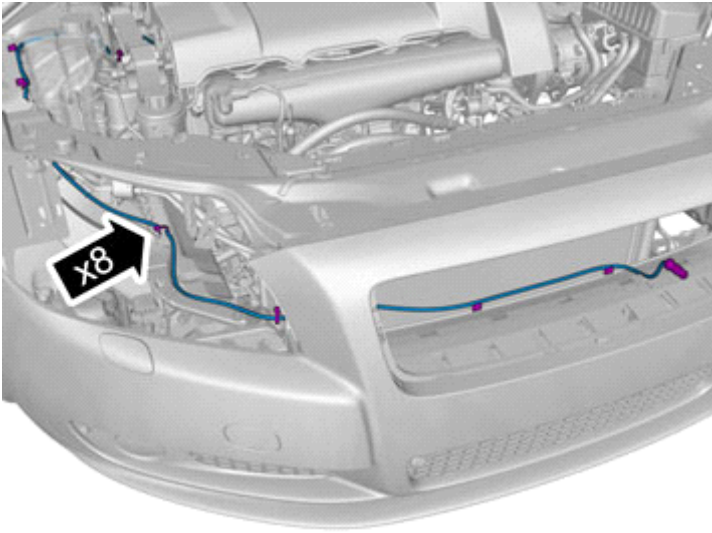
IMG-340544

**Caution!**

Make sure to locate the wiring in such a way that any damage caused by heat or excessive wear is avoided.

Insert the cable in to the passenger compartment, adjust the cable length out into the engine compartment and secure the rubber grommet.

86

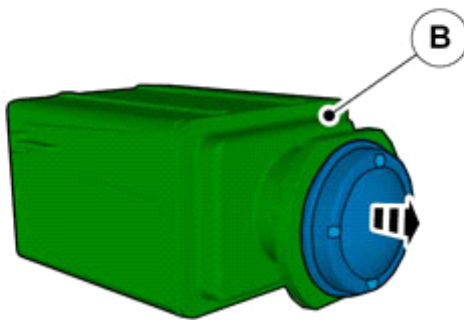


IMG-354476

**Caution!**

Tighten clamps properly.

87



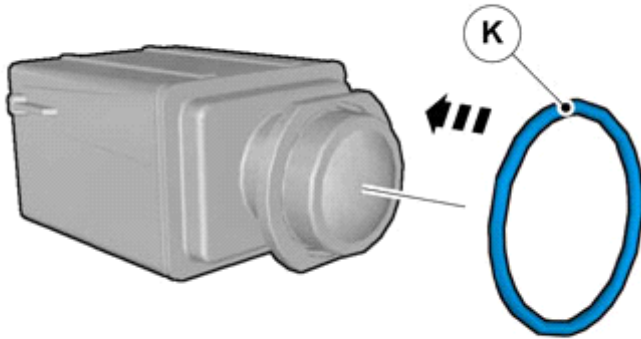
IMG-347781



# Installation instructions, accessories

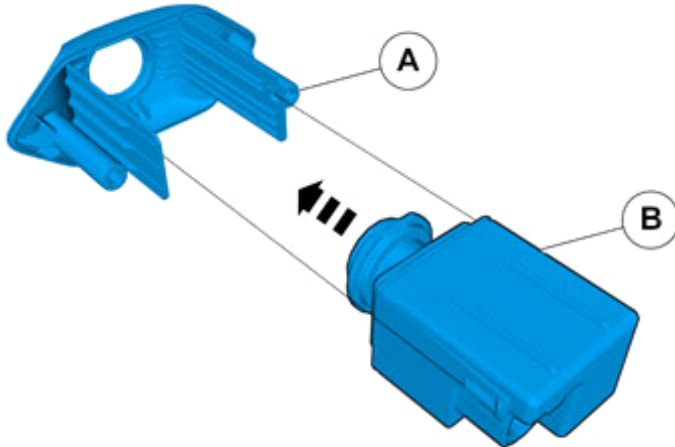
Volvo Car Corporation Gothenburg, Sweden

88



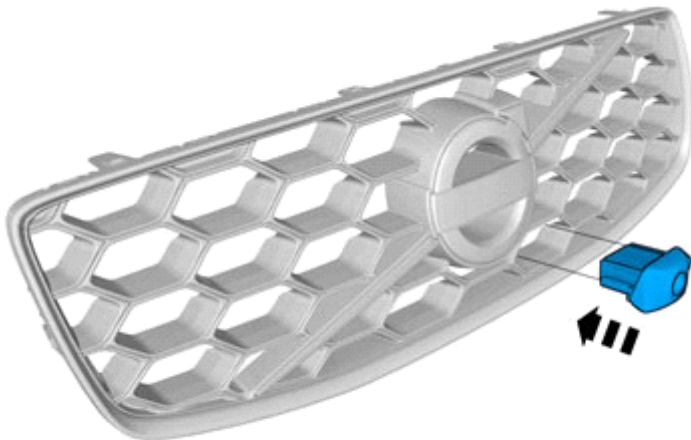
IMG-347786

89



IMG-376589

90



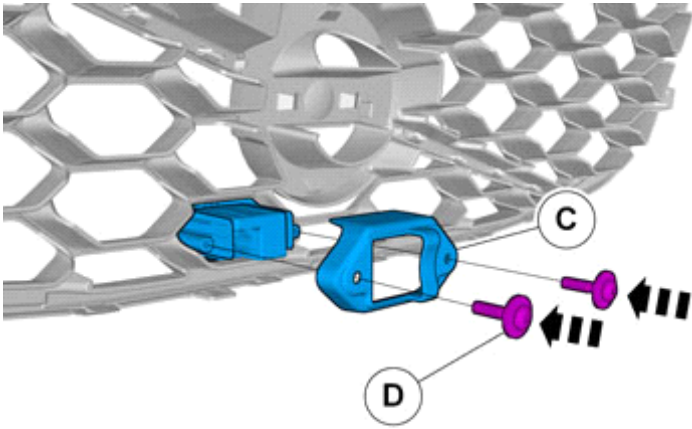
IMG-376680



# Installation instructions, accessories

Volvo Car Corporation Gothenburg, Sweden

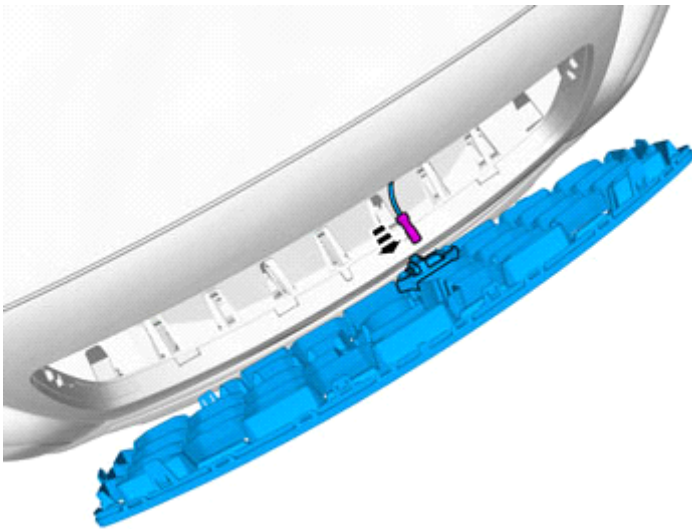
91



Install the screws.

IMG-376597

92



Connect the connector.

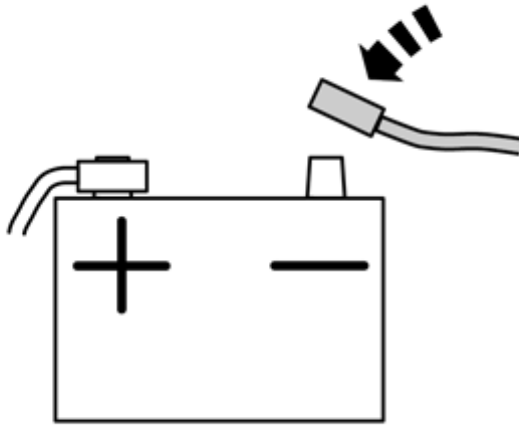
IMG-376613



# Installation instructions, accessories

Volvo Car Corporation Gothenburg, Sweden

93

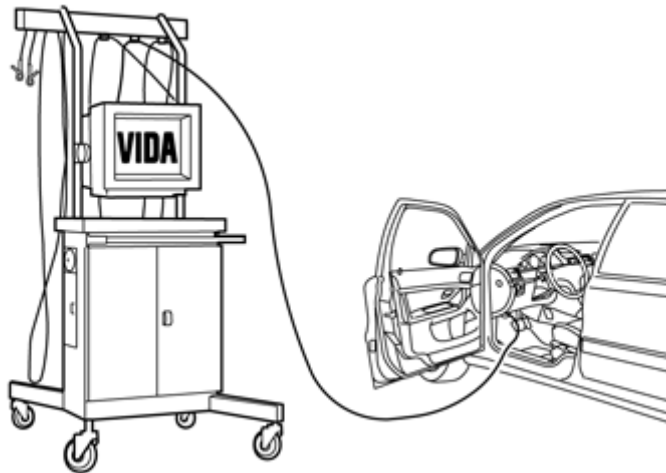


IMG-336901

Reinstall the removed parts in reverse order.

Reinstall the battery's negative cable.

94



IMG-242268

Download software (application) for the accessory's function according to the service information in VIDA.

**Order and download software according to: 31288598**